

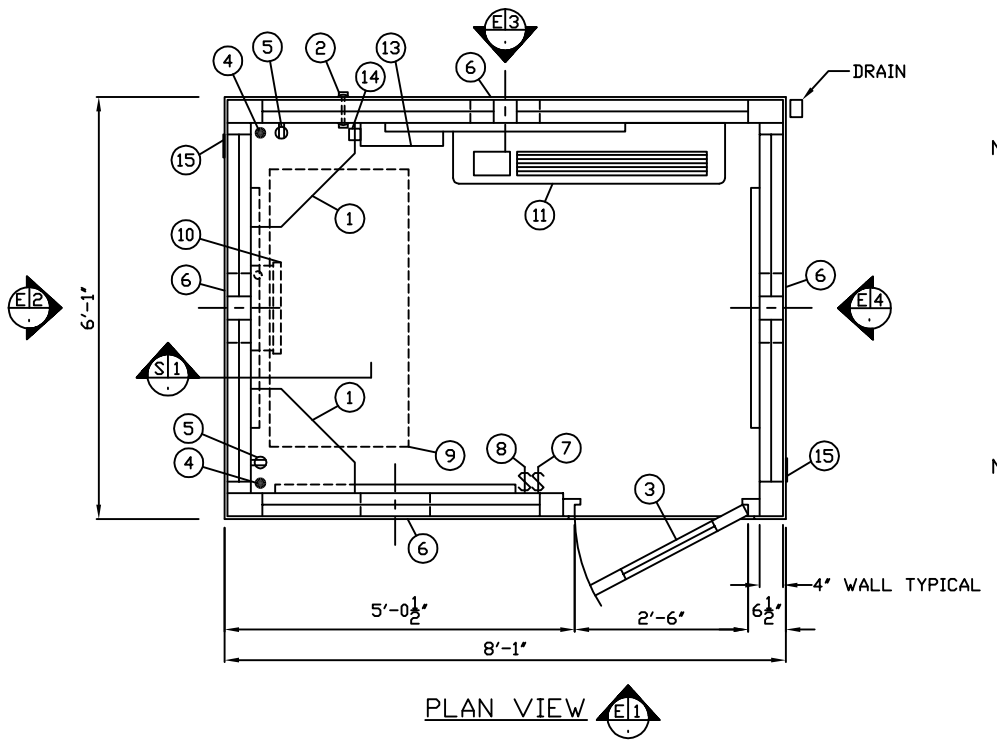
NOTE: PROVIDE 120/240V. 1Ø-3 WIRE SERVICE WITH GROUND.
SERVICE ENTRANCE LAYOUT

- a. 2"Ø THREADED COUPLING THRU BASE FOR CUSTOMER USE 4-REQ'D.
 - b. 2"Ø THREADED COUPLING THRU BASE FOR POWER SERVICE ENTRANCE FEED.
 - c. 3/4"Ø THREADED COUPLING THRU BASE FOR A/C CONDENSER UNIT POWER FEED.
 - d. 3"Ø THREADED COUPLING THRU BASE FOR A/C REFRIGERANT LINES AND CONDENSATE DRAIN.
 - e. 1-1/4" ANCHOR BOLT HOLES FOUR, 1" A325 CONNECTION BOLTS & CAPTIVATED NUTS PROVIDED IN BASE OF BUILDING
 - f. OUTER EDGE OF BUILDING
1. TRIANGULAR CORNER COUNTER- 18" X 18" X 18" PAINTED GALVANIZED STEEL MOUNTED 50" ABOVE FLOOR, 2-REQ'D.
 2. GROUND CLAMP ECLE MODEL #TSS WITH BRONZE FITTINGS.
 3. DOOR- 30" WIDE, SWINGING B.R. STEEL WITH WEATHER-STRIPPING, CONTINUOUS GEARED HINGE, B.R. SAFETY GLAZING, HYDRAULIC CLOSER, PANIC EXIT HARDWARE WITH LEVER TRIM AND BEST CYLINDER, & HARDWARE.
 4. HOLE IN COUNTER FOR DROP CORDS, 2-REQ'D.
 5. DUPLEX OUTLET- MOUNTED BELOW COUNTER, 2-REQ'D.
 6. 14"H X 12"W BULLET RESISTING BI DIRECTION ACCESS PORT, 4-REQ'D.
 7. DIMMER SWITCH FOR 2 WHITE BULBS WITHIN THE INTERIOR LIGHT.
 8. SWITCH FOR 2 RED SLEEVED BULBS WITHIN THE INTERIOR LIGHT.
 9. LIGHT- FLUORESCENT LIGHT FIXTURE WITH LENS. 2 BULBS WILL BE PROVIDED WITH RED SLEEVES WHILE THE OTHER TWO WILL BE STANDARD WHITE ON A DIMMER BALLAST.
 10. HEATER- 240V/4,800 WATT FAN FORCED WITH INTEGRAL THERMOSTAT CONTROL.
 11. EMI SPLIT PACK A/C UNIT - AIR HANDLER MODEL #FHP12 WITH 3KW HEAT STRIP.
 12. SINGLE ZONE CONDENSING UNIT (NOT SHOWN) EMI MODEL #SCC12. UNIT TO BE MOUNTED AND INSTALLED AT GRADE BY OTHERS. START TO BE PERFORMED ON SITE BY OTHERS.
 13. C.B. PANEL - 12 SPACE 120/240V. 1Ø-3 WIRE WITH GROUND BAR. 100 AMP MAIN BREAKER IS INCLUDED.
 14. LIGHTING ARRESTOR ECLE MODEL DTK 120/240CM PLUS.
 15. GROUNDING CLAMP ECLE MODEL BF14B WITH WELDED ATTACHMENT, 2-REQ'D.
 16. DISCONNECT SWITCH (NOT SHOWN) FOR CONDENSING UNIT. FIELD INSTALLED ON SITE BY OTHERS. NO CONDUIT OR WIRING BY PAR-KUT.
 17. WEATHER PROOF GFI RECEPTACLE (NOT SHOWN) FOR CONDENSING UNIT. FIELD INSTALLED ON SITE BY OTHERS. NO CONDUIT OR WIRING BY PAR-KUT.

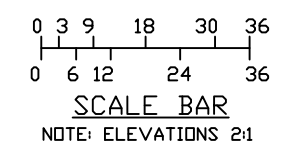
NOTE: PAR-KUT BOOTHS ARE OF SINGLE UNIT WELDED STEEL CONSTRUCTION, FACTORY ASSEMBLED AND DELIVERED SET UP. FAILURE TO SECURELY ANCHOR BOOTH MAY RESULT IN OVERTURNING OF UNIT AND SERIOUS INJURY TO OCCUPANT.

- A. GLAZING TO BE GRAY TINTED MIRRORRED SAFETY GLAZING WITH PAINTED B.R. STEEL EXTERIOR WINDOW FRAMES AND STEEL REMOVABLE INTERIOR GLAZING STOPS.
- B. PAINT- A RUST INHIBITIVE PRIMER WITH AN INDUSTRIAL FINISH.
- C. ELECTRICAL- ALL WIRING BY PAR-KUT TO BE #12(MIN) STRANDED COPPER, THHN ENCLOSED IN 1/2"(MIN) E.M.T. PER NATIONAL ELECTRIC CODE. FITTINGS, FIXTURES & DEVICES ARE U.L. LABELED. ALL WIRING TO TERMINATE AT C.B. PANEL. ALL CIRCUITS HAVE GREEN GROUND WIRE.
- D. BOOTH WILL HAVE A 3' CANOPY OVERHANG ON ALL SIDES.
- E. LIFTING RING(S) ARE PROVIDED IN ROOF.
- F. NO ON SITE WORK BY PAR-KUT.
- G. EXTERIOR PLATE, DOOR AND GLAZING SHALL MEET NIJ BULLET RESISTING LEVEL 4 CLASSIFICATION.

NOTE: FASCIA, SOFFIT, DRAIN, GROUNDING CLAMP AND AIR CONDITIONER ARE NOT BULLET RESISTING.



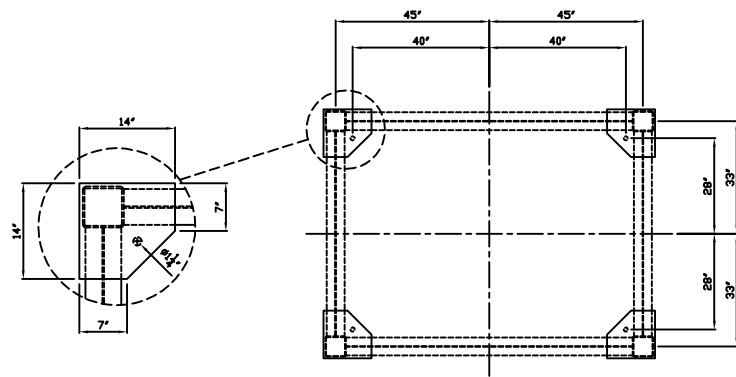
PLAN VIEW E1



NOTE: THIS PRINT AND DESIGN ARE THE PROPERTY OF PAR-KUT INTERNATIONAL, INC. IT MUST NOT BE REPRODUCED IN ANY MANNER, NOR SHALL IT BE SUBMITTED TO OUTSIDE PARTIES FOR EXAMINATION WITHOUT OUR CONSENT. IT SHALL BE USED ONLY AS A MEANS OF REFERENCE TO WORK DESIGNED AND FURNISHED BY PAR-KUT. PAR-KUT RESERVES THE RIGHT TO MAKE CHANGES TO DESIGN FOR ENGINEERING PURPOSES WITHOUT NOTICE. REVISIONS MAY NOT BE NOTED.

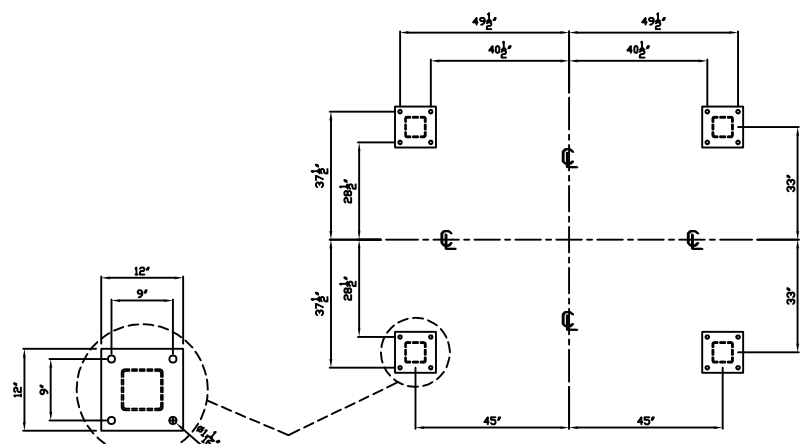
PAR-KUT INTERNATIONAL, INC.
40961 Production Drive
Harrison Twp, Mich.
48045-1551
PH. (586) 468-2947

GENERAL NOTES	
MAIN PAINT COLOR: CLAY TAN #DC1600	DWG#05-128-36 SHEET A-1
EXTERIOR BELOW WINDOWS PAINT COLOR: BLACK #DC9903	SEC-017
TOWER PAINT COLOR: CLAY TAN #DC1600	
STAIR COLUMN SUPPORT PAINT COLOR: CLAY TAN #DC1600	PO#
STAIR TREADS AND STAIR RAILS SHALL BE BARE GALVANIZED STEEL	SCALE NTS
INSULATED BASE	DRAWN BY DNE
	REVISED 11-12-2014
	DATE 3-24-2005
	SIZE 6'-1" X 8'-1"
	CHK'D BY: SALES REPRESENTATIVE



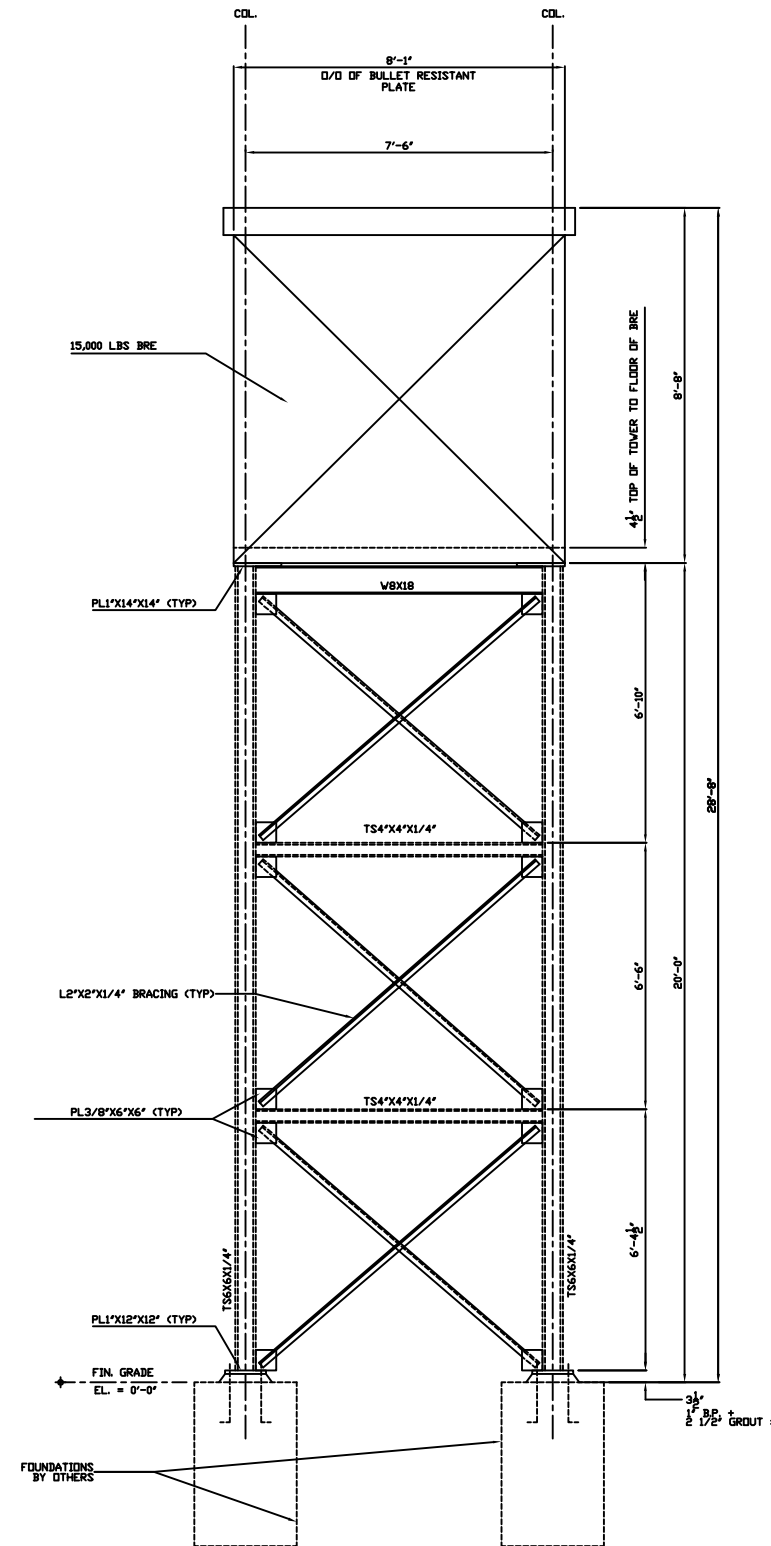
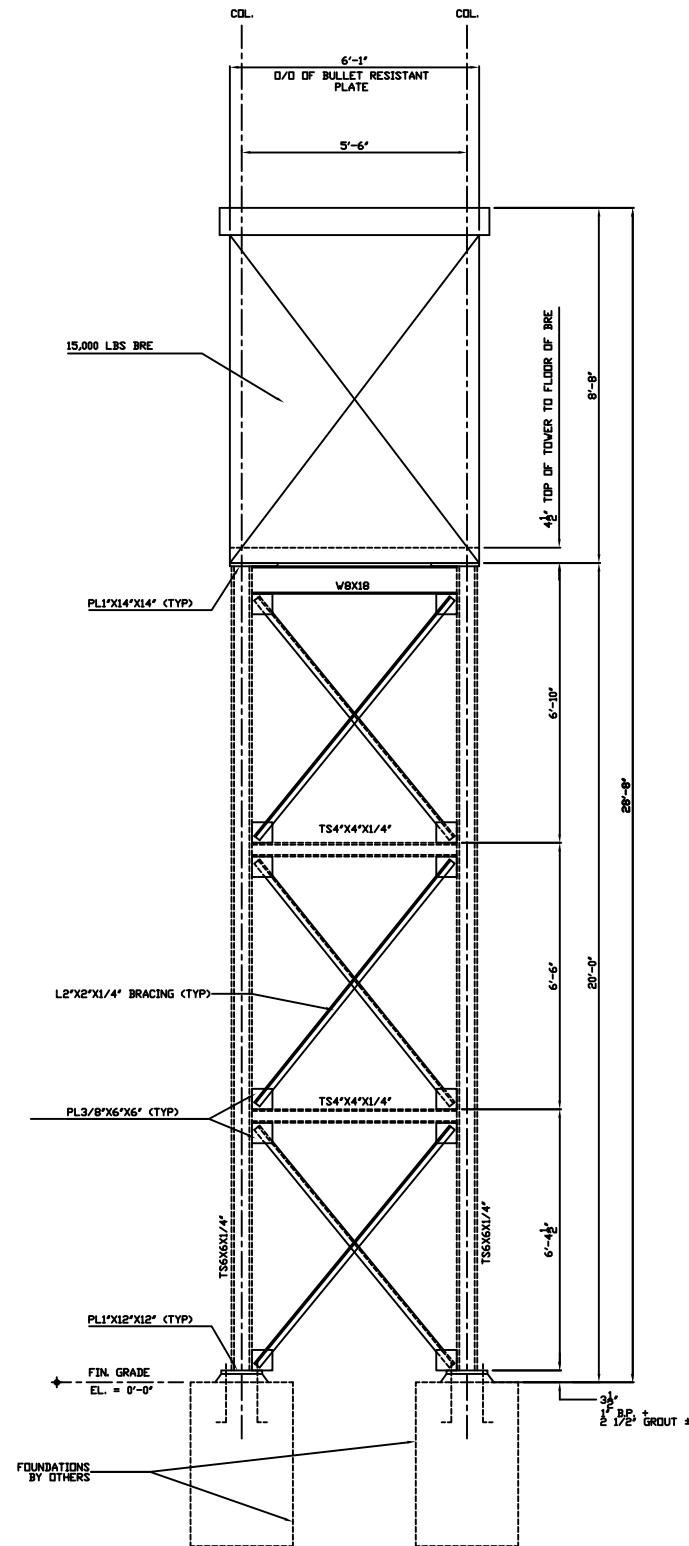
TYPICAL BRE TO TOWER CONNECTION PLATE
14' X 14' X 1'

BRE TO TOWER CONNECTION HOLE LOCATIONS



TYPICAL ANCHOR PLATE
12' X 12' X 1'

TOWER ANCHOR PLATE HOLE LOCATIONS



NOTE: THIS PRINT AND DESIGN ARE THE PROPERTY OF PAR-KUT INTERNATIONAL, INC. IT MUST NOT BE REPRODUCED IN ANY MANNER, NOR SHALL IT BE SUBMITTED TO OUTSIDE PARTIES FOR EXAMINATION WITHOUT OUR CONSENT. IT SHALL BE USED ONLY AS A MEANS OF REFERENCE TO WORK DESIGNED AND FURNISHED BY PAR-KUT. PAR-KUT RESERVES THE RIGHT TO MAKE CHANGES TO DESIGN FOR ENGINEERING PURPOSES WITHOUT NOTICE. REVISIONS MAY NOT BE NOTED.

PAR-KUT INTERNATIONAL, INC.
40961 Production Drive
Harrison Twp, Mich.
48045-1551
PH. (586) 468-2947



DWG# 05-128-34 SHEET A-1

SEC-017

GENERAL NOTES
PAINT COLOR: BLACK #DC9903

PO#	SCALE	DRAWN BY	REVISED
	NTS	DNE	3-31-2005
DATE	SIZE	TOWER	QTY
3-25-2005	20'		
CHK'D BY:	SALES REPRESENTATIVE		