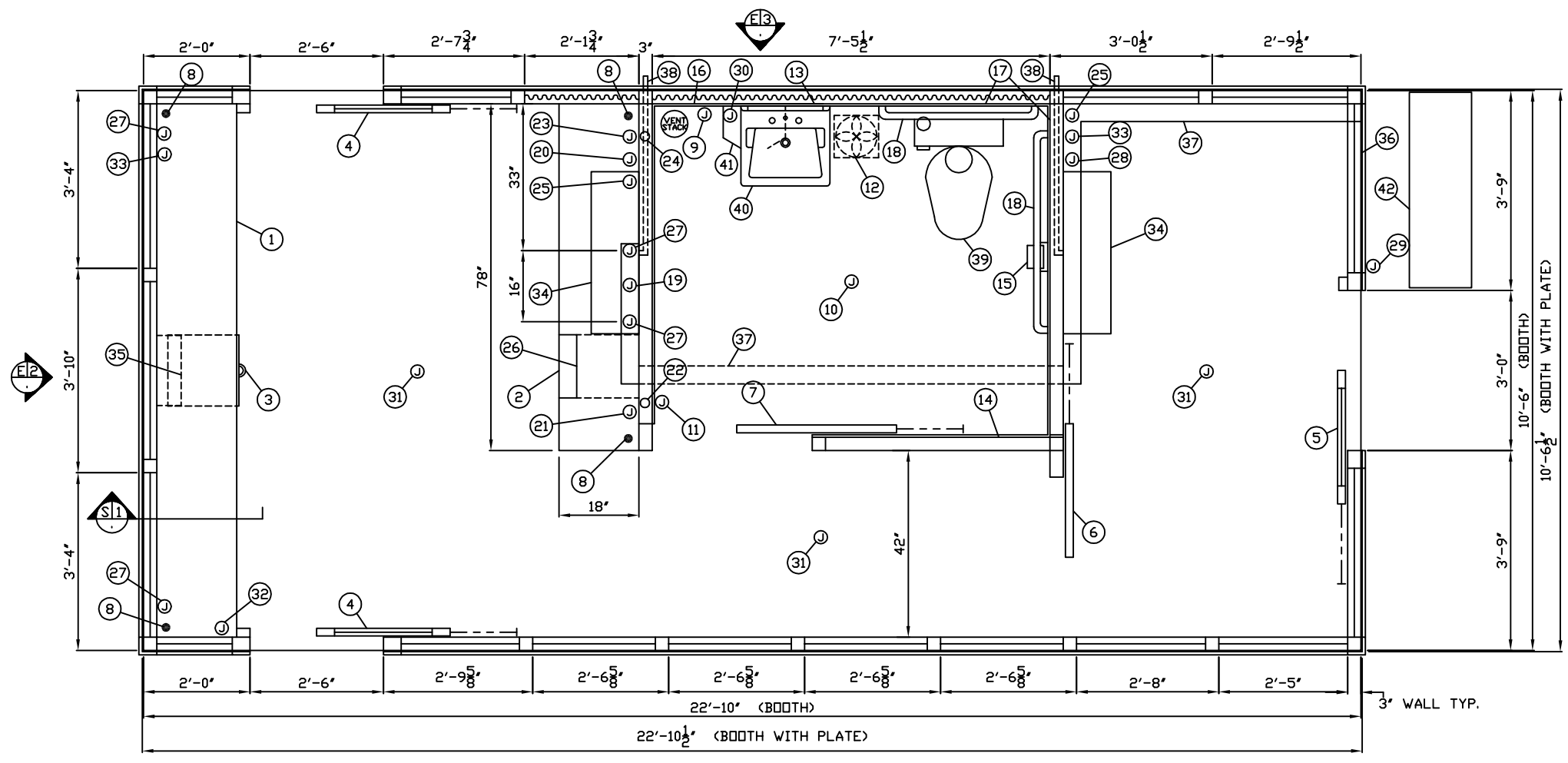


- a. SLOTS IN FLOOR FOR ELECTRIC SERVICE ENTRANCE, 2-REQ'D.
- b. 3' X 3' X 1/4' MIN. ANCHOR CLIP WITH 1" ANCHOR BOLT HOLE, 4-REQ'D. ONE EACH CORNER. ANCHOR BOLT AFTER FINAL LOCATION. ANCHOR BOLTS NOT INCLUDED
- c. OUTER EDGE OF BASE
- d. 3" DIA. HOLE IN FLOOR FOR WATER INLET.
- e. 6" DIA. HOLE IN FLOOR FOR WATER CLOSET.
- f. VENT STACK: 6" DIA. HOLE IN FLOOR 5" DIA. SLEEVE THRU ROOF.

NOTE: PROVIDE 120/208V. 3Ø-4 WIRE SERVICE WITH GROUND.
SERVICE ENTRANCE/ANCHOR BOLT LAYOUT

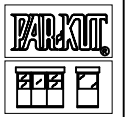


E11 PLAN VIEW

THIS BUILDING IS NOT ADA COMPLIANT

NOTE: THIS PRINT AND DESIGN ARE THE PROPERTY OF PAR-KUT INTERNATIONAL, INC. IT MUST NOT BE REPRODUCED IN ANY MANNER, NOR SHALL IT BE SUBMITTED TO OUTSIDE PARTIES FOR EXAMINATION WITHOUT OUR CONSENT. IT SHALL BE USED ONLY AS A MEANS OF REFERENCE TO WORK DESIGNED AND FURNISHED BY PAR-KUT. PAR-KUT RESERVES THE RIGHT TO MAKE CHANGES TO DESIGN FOR ENGINEERING PURPOSES WITHOUT NOTICE. REVISIONS MAY NOT BE NOTED.

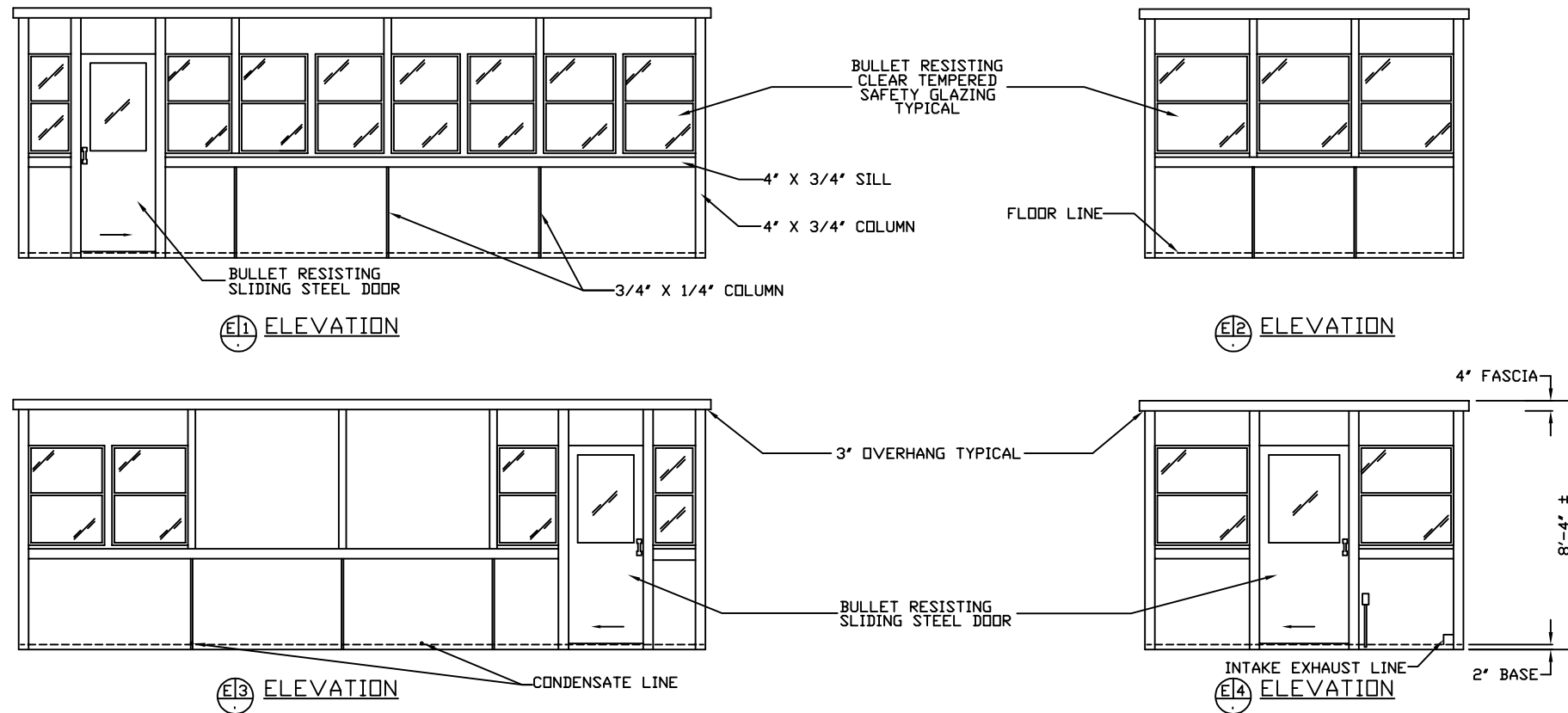
PAR-KUT INTERNATIONAL, INC.
40961 Production Drive
Harrison Twp, Mich.
48045-1551
PH. (586) 468-2947



DWG# sec-014 SHEET A-1

10' X 23' SECURITY BOOTH

GENERAL NOTES		
PAINT COLOR: (PLEASE SPECIFY COLOR)		
EST. WEIGHT: 17,000 LBS.	PO# VERBAL	
	SCALE NTS	DRAWN BY EJL
	DATE	REVISED QTY
	CHK'D BY:	SALES REPRESENTATIVE



1. COUNTER- 18" DEEP PAINTED 14GA. GALV. STEEL MOUNTED AT SILL HEIGHT.
2. BOLT-IN COUNTER- 18" DEEP, 78" LONG, PAINTED 14GA. GALV. STEEL, TO BE MOUNTED AT SILL HEIGHT. SHIPPED LOOSE FOR FINAL INSTALLATION ON SITE BY OTHERS.
3. PAINTED STORAGE DRAWER BENEATH COUNTER.
4. DOOR- 30" BULLET RESISTING SLIDING STEEL WITH WEATHER-STRIPPING, BALL BEARING HANGERS, SAFETY GLAZING, HEAVY DUTY TRACK, LOCK, AND HARDWARE, 2-REQ'D.
5. DOOR- 36" BULLET RESISTING SLIDING STEEL WITH WEATHER-STRIPPING, BALL BEARING HANGERS, SAFETY GLAZING, HEAVY DUTY TRACK, LOCK, AND HARDWARE.
6. DOOR- 36" SLIDING STEEL WITH BALL BEARING HANGERS, HEAVY DUTY TRACK, LOCK, AND HARDWARE.
7. DOOR- 36" SLIDING STEEL PRIVACY DOOR.
8. HOLE IN COUNTER FOR DROP CORDS, 4-REQ'D.
9. 2" X 4" JUNCTION BOX MOUNTED 48" ABOVE FLOOR FOR FUTURE GFI RECEPTACLE PROVIDED AND INSTALLED BY OTHERS.
10. OCTAGON JUNCTION MOUNTED IN CEILING FOR FUTURE LIGHT FIXTURE PROVIDED AND INSTALLED BY OTHERS.
11. 2" X 4" JUNCTION BOX MOUNTED 48" ABOVE FLOOR FOR FUTURE REST ROOM SWITCH PROVIDED AND INSTALLED BY OTHERS.
12. EXHAUST FAN MOUNTED REST ROOM CEILING WITH RACEWAY TO JUNCTION BOX ITEM #11.
13. MIRROR MOUNTED ABOVE LAVATORY.
14. COAT HOOK MOUNTED ON WALL.
15. TOILET PAPER HOLDER.
16. PAPER TOWEL DISPENSER.
17. STAINLESS STEEL SPLASH GUARD, 2-REQ'D.
18. SAFETY RAIL MOUNTED ON REST ROOM WALL, 2-REQ'D.
19. 10" W X 16" H X 4" D JUNCTION BOX, MOUNTED APPROX. 34" ABOVE FLOOR TO TOP, PROVIDED AND INSTALLED BY OTHERS FOR SEC CAMERAS.
20. 2" X 4" JUNCTION BOX MOUNTED 48" ABOVE FLOOR FOR FUTURE THERMOSTAT FOR HEATER ITEM #35.
21. SIX GANG SWITCH BOX RECESSED IN WALL 48" ABOVE FLOOR WITH 1" CONDUIT RACEWAY TO CB PANEL.
22. 1" DIAMETER CONDUIT FROM ITEM #21 TO STUB ABOVE ROOF.
23. 24" X 24" X 8" NEMA 1 JUNCTION BOX WITH SCREW ON COVER, MOUNTED APPROX. 34" ABOVE FLOOR TO TOP, FOR FUTURE DATA.
24. 1" DIAMETER CONDUIT FROM ITEM #23 TO STUB ABOVE ROOF.
25. 2" X 4" JUNCTION BOX MOUNTED 48" ABOVE FLOOR FOR FUTURE THERMOSTAT FOR AIR HANDLER ITEM #34, 2-REQ'D.
26. CIRCUIT BREAKER PANEL 30 CKT., 100 AMP RATED, 120/208V 3Ø-4 WIRE WITH GROUND, MOUNTED APPROX. 34" ABOVE FLOOR TO TOP, MAIN BREAKER INCLUDED.
27. 4" X 4" JUNCTION BOX MOUNTED IN WALL BELOW COUNTER, 4-REQ'D FOR FUTURE RECEPTACLES PROVIDED AND INSTALLED BY OTHERS.
28. 2" X 4" JUNCTION BOX MOUNTED IN WALL 18" ABOVE FLOOR FOR FUTURE RECEPTACLES PROVIDED AND INSTALLED BY OTHERS.
29. WEATHER PROOF JUNCTION BOX MOUNTED ON EXTERIOR WALL 18" ABOVE GRADE FOR FUTURE GFI RECEPTACLE PROVIDED AND INSTALLED BY OTHERS.
30. JUNCTION BOX MOUNTED IN WALL FOR FUTURE WATER HEATER RECEPTACLE PROVIDED AND INSTALLED BY OTHERS.
31. OCTAGON JUNCTION BOX MOUNTED IN CEILING FOR FUTURE LIGHTS, 2-REQ'D. PROVIDED AND INSTALLED BY OTHERS. WITH 1/2" DIAMETER RACEWAY TO ITEM # 21.
32. 2" X 4" JUNCTION BOX MOUNTED BELOW COUNTER WITH 3/4" DIAMETER RACEWAY TO JUNCTION BOX AT CB PANEL FOR FUTURE GATE CONTROL BUTTON, PROVIDED AND INSTALLED BY OTHERS.
33. 2" X 4" JUNCTION BOX MOUNTED IN WALL, 18" ABOVE FLOOR WITH 3/4" DIAMETER CONDUIT TO ITEM #23, 2-REQ'D.
34. WALL MOUNTED AIR HANDLER- 9,000 BTU COOL AND 3,000 WATT HEAT AND PREP FOR WALL MOUNTED THERMOSTAT (ITEM #25), 2-REQ'D.
35. HEATER- 208V/3,600 WATT FAN FORCED HEATER WITH PREP FOR WALL MOUNTED THERMOSTAT (ITEM#20)
36. DISCONNECT FOR SITE INSTALLED CONDENSING UNIT.
37. INTAKE EXHAUST LINES FOR AIR HANDLER ITEM #34 MOUNTED IN SURFACE WIREMOLD AT FLOOR.
38. CONDENSATE LINE FOR AIR HANDLER ITEM #34.

NOTE: THE FOLLOWING ITEMS ARE SHIPPED LOOSE CARTONS AND FIELD INSTALLED AT SITE BY OTHERS.

39. WHITE CHINA WATER CLOSET WITH OPEN FRONT SEAT.
40. WHITE CHINA LAVATORY WITH CHROME FAUCET.
41. WATER HEATER- ARISTON 2-1/2 GALLON POINT OF USE.
42. DUAL CONDENSING UNIT FOR SPLIT HVAC SYSTEM EMI #MC2-09 WITH MOUNTING BRACKETS. INSTALLATION AND START UP TO BE PERFORMED ON SITE BY OTHERS.

NOTE: PAR-KUT BOOTHS ARE OF SINGLE UNIT WELDED GALVANIZED STEEL CONSTRUCTION, FACTORY ASSEMBLED AND DELIVERED SET UP. FAILURE TO SECURELY ANCHOR BOOTH MAY RESULT IN OVERTURNING OF UNIT AND SERIOUS INJURY TO OCCUPANT.

- A. GLAZING TO BE BULLET RESISTING U.L. LEVEL 3 CLEAR SAFETY GLAZING SET IN PAINTED STEEL WINDOW FRAMES, INCLUDING PAINTED STEEL HORIZONTAL MULLIONS.
- B. PAINT- A RUST INHIBITIVE PRIMER WITH AN INDUSTRIAL FINISH.
- C. ELECTRICAL- NO WIRING, RECEPTACLES, SWITCHES OR COVER PLATES BY PAR-KUT. CONDUIT RACEWAYS INSTALLED SHALL BE 1/2" MINIMUM E.M.T PER NATIONAL ELECTRIC CODE.
- D. BOOTH WILL HAVE A 3" CANOPY OVERHANG ON ALL SIDES.
- E. LIFTING RING(S) ARE PROVIDED IN ROOF.
- F. NO ON SITE WORK BY PAR-KUT.
- G. OUTER PANELS AND DOOR TO MEET U.L. 752 LEVEL 3 STANDARDS.
- H. CANOPY OVERHANG, CEILING AND ROOF ARE NOT BULLET RESISTING.

NOTE: THIS PRINT AND DESIGN ARE THE PROPERTY OF PAR-KUT INTERNATIONAL, INC. IT MUST NOT BE REPRODUCED IN ANY MANNER, NOR SHALL IT BE SUBMITTED TO OUTSIDE PARTIES FOR EXAMINATION WITHOUT OUR CONSENT. IT SHALL BE USED ONLY AS A MEANS OF REFERENCE TO WORK DESIGNED AND FURNISHED BY PAR-KUT. PAR-KUT RESERVES THE RIGHT TO MAKE CHANGES TO DESIGN FOR ENGINEERING PURPOSES WITHOUT NOTICE. REVISIONS MAY NOT BE NOTED.

PAR-KUT INTERNATIONAL, INC.
 40961 Production Drive
 Harrison Twp, Mich.
 48045-1551
 Ph. (586) 468-2947



DWG# sec-014 SHEET A-2

10' X 23' SECURITY BOOTH

PD# VERBAL		
SCALE NTS	DRAWN BY EJL	REVISED
DATE	SIZE 10'-6" X 22'-10"	QTY
CHK'D BY:	SALES REPRESENTATIVE	