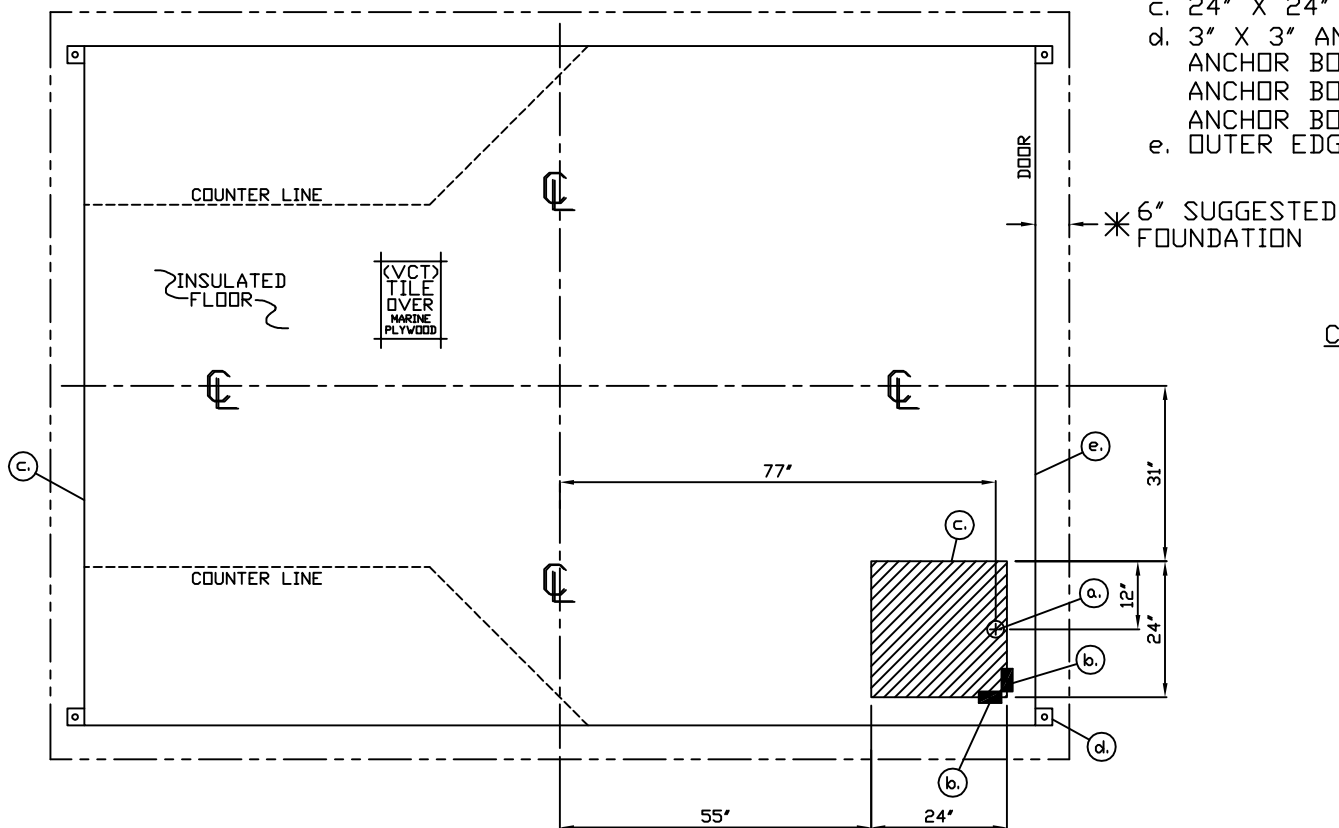


- a. 3" HOLE IN REMOVABLE COVER UNDER CIRCUIT BREAKER PANEL.
- b. TWO SLOTS IN FLOOR FOR WIREMOLD.
- c. 24" X 24" REMOVABLE SCREW COVER PLATE
- d. 3" X 3" ANCHOR CLIP WITH 1" ANCHOR BOLT HOLE, 4-REQ'D. ONE EACH CORNER ANCHOR BOOTH AFTER FINAL LOCATION. ANCHOR BOLTS NOT INCLUDED
- e. OUTER EDGE OF BASE



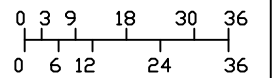
COVER PLATE DETAIL

1. COUNTER- 24" DEEP STAINLESS STEEL 304-2B FINISH MOUNTED 39" ABOVE FINISH FLOOR, 2-REQ'D.
2. STORAGE DRAWER BENEATH COUNTER WITH STAINLESS STEEL FACE, 4-REQ'D.
3. DOOR- 36" WIDE, SWINGING B.R. STEEL WITH WEATHER-STRIPPING, CONTINUOUS HINGE, B.R. SAFETY GLAZING, HYDRAULIC CLOSER, PANIC EXIT DEVICE WITH LEVER HANDLE TRIM, BEST CYLINDER, & HARDWARE.
4. 1-1/4" HOLE IN COUNTER FOR DROP CORDS, 4-REQ'D.
5. 20 AMP DUPLEX OUTLET- MOUNTED BELOW COUNTER, 9-REQ'D.
6. DIMMER SWITCH FOR ONE ROW OF INTERIOR INCANDESCENT DOWN LIGHTS.
7. INCANDESCENT RECESSED DOWN LIGHT WITH 75 WATT LAMP, 8-REQ'D.
8. DIMMER SWITCH FOR ONE ROW OF INTERIOR INCANDESCENT DOWN LIGHTS.
9. 2" X 2" POST.
10. 4000 SERIES WIRE MOLD WITH COVER THRU FLOOR TO ABOVE CEILING, 2-REQ'D.
11. BULLET RESISTING SIDE SLIDING ACCESS PORT 10" X 10", 4-REQ'D.
12. DIGITAL WALL MOUNTED THERMOSTAT CONTROL FOR HVAC ROOF MOUNTED UNIT.
13. DISCONNECT SWITCH 240 VOLT FOR HVAC UNIT.
14. HVAC UNIT ROOF MOUNTED CARRIER 18,000 BTU WITH 10 KW HEAT.
15. C.B. PANEL- GE #TL4020C 40 SPACE 120/240V. 1Ø-3 WIRE WITH GROUND BAR. MAIN LUG ONLY. PAR-KUT INSTALLS BRANCH BREAKERS FOR ALL FACTORY INSTALLED BOOTH ELECTRICAL EQUIPMENT, INCLUDING INTERIOR AND EXTERIOR LIGHT FIXTURES, HVAC, ELECTRIC RECEPTACLES AND INTERCOMS. 6 SPARE SINGLE POLE 20 AMP BREAKERS ARE INCLUDED.
16. ANCHOR CLIP- 3" X 3" STEEL WELDED TO BASE AT GRADE WITH 1" ANCHOR BOLT HOLE. 4-REQ'D. ANCHOR BOOTH AFTER FINAL LOCATION. ANCHOR BOLTS NOT INCLUDED.
17. 2" X 4" JUNCTION BOX FOR FUTURE COMMUNICATION, DATA, ECT. MOUNTED 18" ABOVE FINISH FLOOR WITH 3/4" CONDUIT TO STUB ABOVE CEILING TILE, 10-REQ'D.
18. GROUND FAULT INTERRUPT RECEPTACLE MOUNTED ON ROOF FOR HVAC UNIT.
19. 4" X 4" JUNCTION BOX MOUNTED ON INTERIOR WALL FOR INTERCOM WITH 3/4" RACEWAY TO JUNCTION BOX ITEM #20 AND TO JUNCTION BOX ITEM #21.
20. 4" X 4" WEATHER PROOF JUNCTION BOX MOUNTED ON EXTERIOR WALL WITH RACEWAY TO ITEM #20. PROTECT RACEWAY SO NOT TO COMPROMISE THE BULLET RESISTANT INTEGRITY.
21. JUNCTION BOX WITH COVER MOUNTED IN HEADER ABOVE TILE CEILING NEAR WIRE MOLD WITH 3/4" CONDUIT RACEWAY THROUGH ROOF TO A WEATHERPROOF JUNCTION BOX FOR INTERCOM SPEAKERS (2 ONE EACH SIDE) BY OTHERS.

NOTE: PROVIDE 120/240V. 1Ø-3 WIRE SERVICE WITH GROUND.
SERVICE ENTRANCE/ANCHOR BOLT LAYOUT

NOTE: PAR-KUT BOOTHS ARE OF SINGLE UNIT WELDED GALVANIZED STEEL CONSTRUCTION, FACTORY ASSEMBLED AND DELIVERED SET UP. FAILURE TO SECURELY ANCHOR BOOTH MAY RESULT IN OVERTURNING OF UNIT AND SERIOUS INJURY TO OCCUPANT.

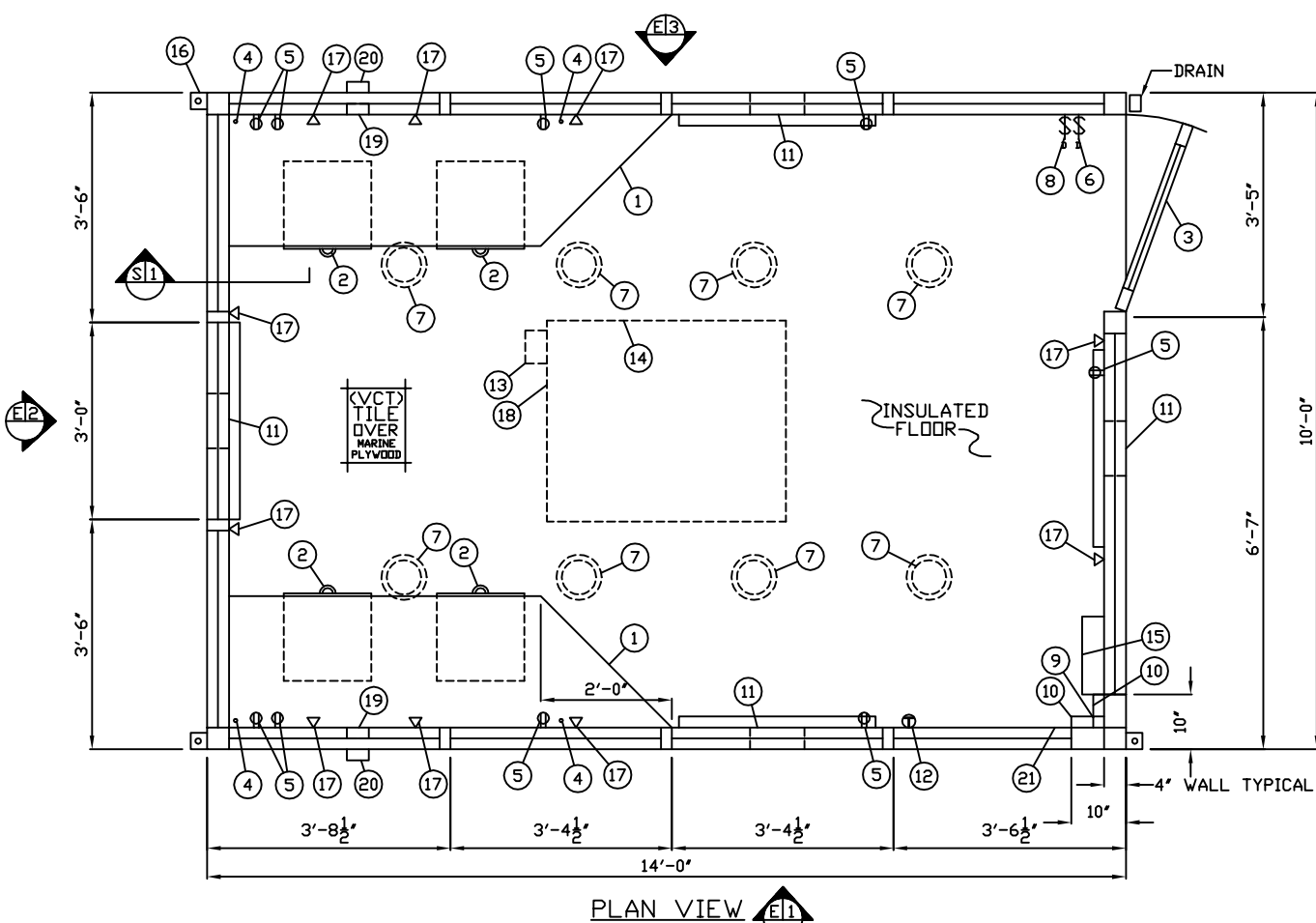
- A. GLAZING TO BE BULLET RESISTING SOLAR COOL REFLECTIVE SAFETY GLAZING WITH B.R. STEEL EXTERIOR WINDOW FRAMES AND 3/4" SOLID STEEL INTERIOR GLAZING STOPS.
- B. PAINT- A RUST INHIBITIVE HIGH BUILD PRIMER WITH AN POLYURETHANE INDUSTRIAL FINISH.
- C. ELECTRICAL- ALL WIRING BY PAR-KUT TO BE #12(MIN) STRANDED COPPER, THHN ENCLOSED IN 1/2"(MIN) E.M.T. PER NATIONAL ELECTRIC CODE. FITTINGS, FIXTURES & DEVICES ARE U.L. LABELED. ALL WIRING TO TERMINATE AT C.B. PANEL. ALL CIRCUITS HAVE GREEN GROUND WIRE.
- D. BOOTH WILL HAVE A 3" CANOPY OVERHANG ON ALL SIDES.
- E. LIFTING RING(S) ARE PROVIDED IN ROOF.
- F. NO ON SITE WORK BY PAR-KUT.
- G. EXTERIOR PLATE AND GLAZING SHALL MEET U.L. 752 BULLET RESISTING LEVEL 8 CLASSIFICATION.



SCALE BAR

NOTE: ELEVATIONS 21

NOTE: FLOOR, CANOPY, FASCIA, SOFFIT, AND HVAC UNIT ARE NOT BULLET RESISTING.



PLAN VIEW

NOTE: THIS PRINT AND DESIGN ARE THE PROPERTY OF PAR-KUT INTERNATIONAL, INC. IT MUST NOT BE REPRODUCED IN ANY MANNER, NOR SHALL IT BE SUBMITTED TO OUTSIDE PARTIES FOR EXAMINATION WITHOUT OUR CONSENT. IT SHALL BE USED ONLY AS A MEANS OF REFERENCE TO WORK DESIGNED AND FURNISHED BY PAR-KUT. PAR-KUT RESERVES THE RIGHT TO MAKE CHANGES TO DESIGN FOR ENGINEERING PURPOSES WITHOUT NOTICE. REVISIONS MAY NOT BE NOTED.

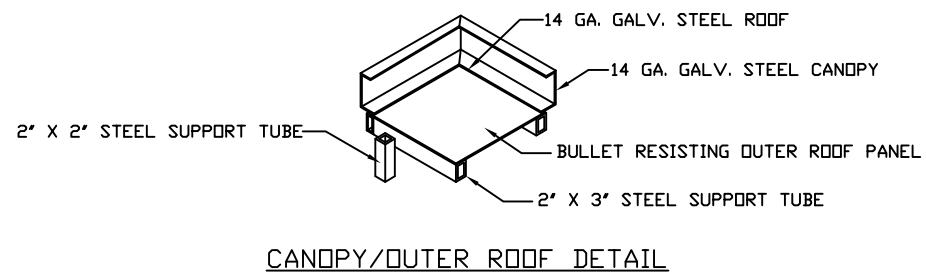
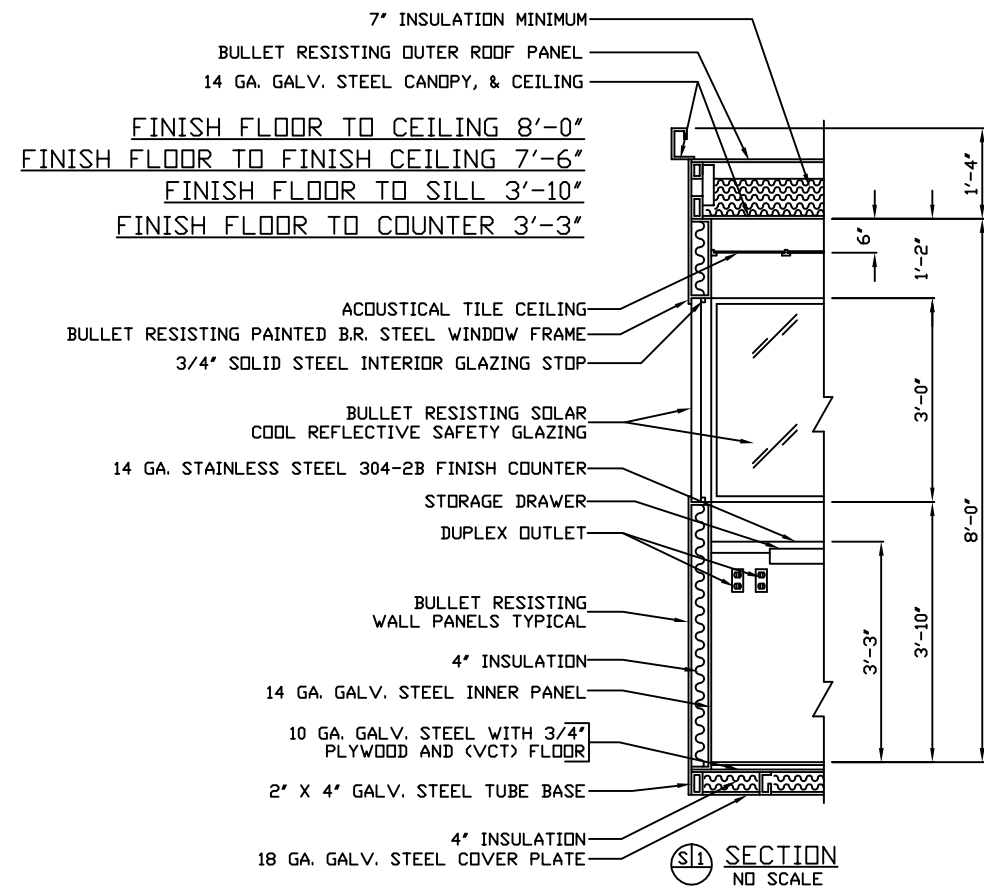
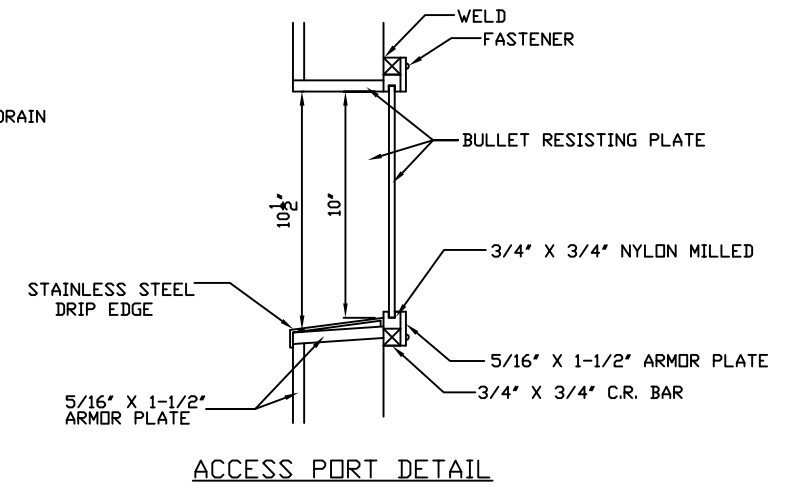
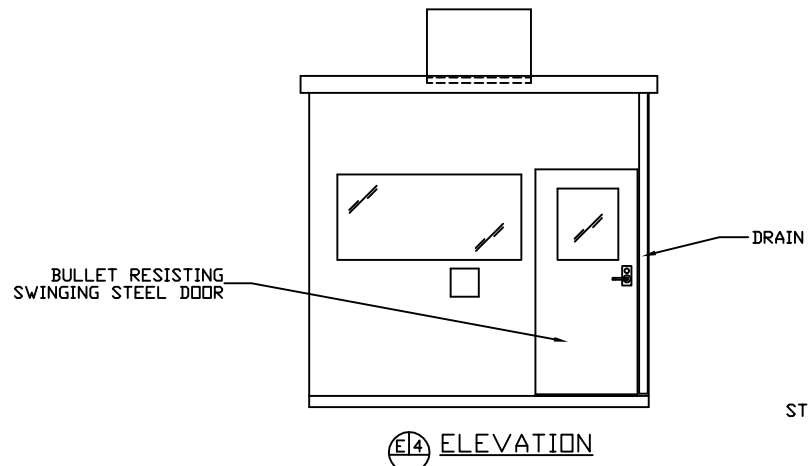
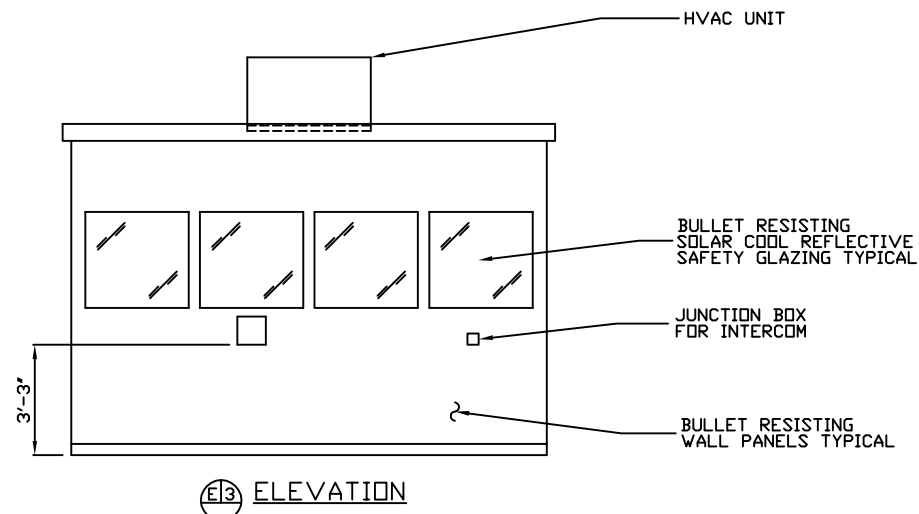
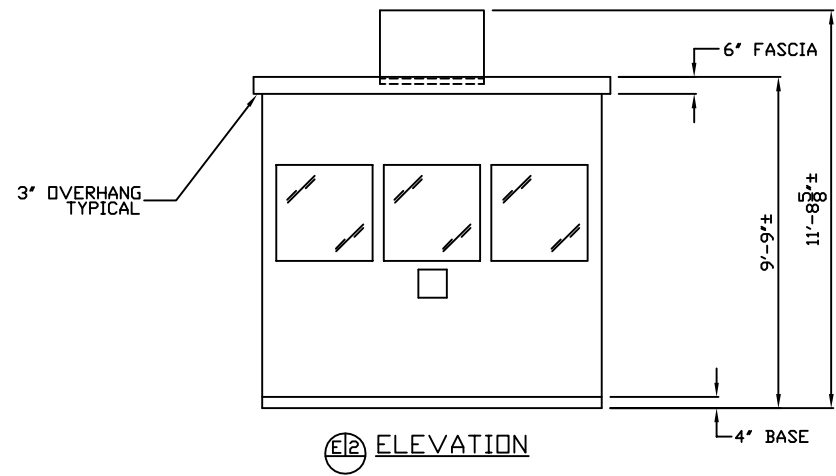
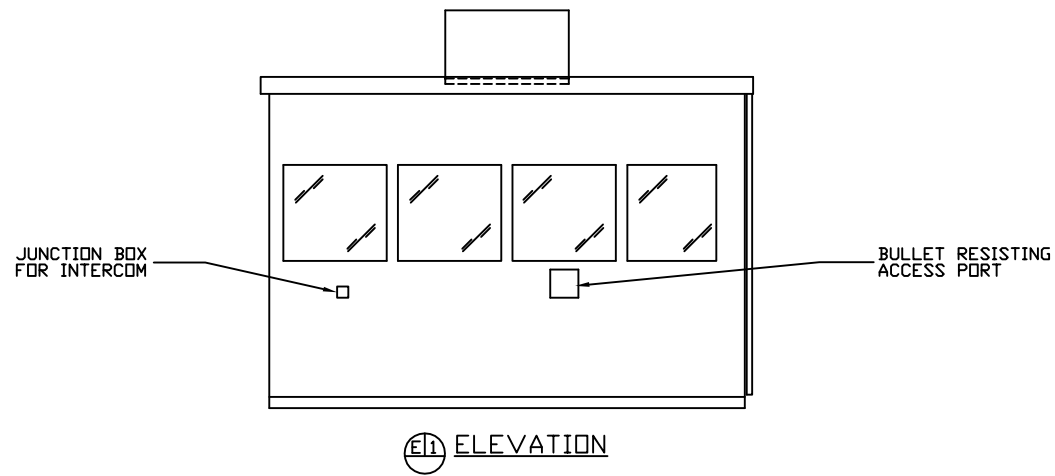
PAR-KUT INTERNATIONAL, INC.
40961 Production Drive
Harrison Twp, Mich.
48045-1351
PH. (313) 468-2947



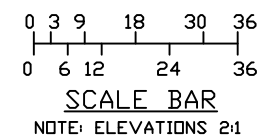
* FIELD WORK		
* CONCRETE FOUNDATION		
* ANCHORING UNIT IN PLACE		
* ELECTRICAL CONNECTION TO SERVICE PANEL		
* GROUNDING ELECTRODE		
* ANCHOR BOLTS		
* INSTALLATION OF ALL PLUMBING PIPE, FITTING AND FIXTURES		
* PIPE & FITTING PROVIDE BY OTHERS		
DWG#	SEC-004	SHEET A-1
SEC-004		
PN#	SCALE	DATE
6-7-2002	NTS	6-7-2002
CHK'D BY:	DRAWN BY	REVISED
	AJP	11-12-2014
	SIZE	QTY
	10' X 14'	1
SALES REPRESENTATIVE		
TOM DUENGLING		

A/E NOTES

PAINT COLOR: WHITE



NOTE: FLOOR, CANOPY, FASCIA, SOFFIT, AND HVAC UNIT ARE NOT BULLET RESISTING.



- * FIELD WORK**
- * CONCRETE FOUNDATION
 - * ANCHORING UNIT IN PLACE
 - * ELECTRICAL CONNECTION TO SERVICE PANEL
 - * GROUNDING ELECTRODE
 - * ANCHOR BOLTS
 - * INSTALLATION OF ALL PLUMBING PIPE, FITTING AND FIXTURES
 - * PIPE & FITTING PROVIDE BY OTHERS

NOTE: THIS PRINT AND DESIGN ARE THE PROPERTY OF PAR-KUT INTERNATIONAL, INC. IT MUST NOT BE REPRODUCED IN ANY MANNER, NOR SHALL IT BE SUBMITTED TO OUTSIDE PARTIES FOR EXAMINATION WITHOUT OUR CONSENT. IT SHALL BE USED ONLY AS A MEANS OF REFERENCE TO WORK DESIGNED AND FURNISHED BY PAR-KUT. PAR-KUT RESERVES THE RIGHT TO MAKE CHANGES TO DESIGN FOR ENGINEERING PURPOSES WITHOUT NOTICE. REVISIONS MAY NOT BE NOTED.

PAR-KUT INTERNATIONAL, INC.
40961 Production Drive
Harrison Twp, Mich.
48045-1351
PH. (313) 468-2947

PAR-KUT

DWG# SEC-004 SHEET A-2

SEC-004

PD# VERBAL
SCALE NTS
DATE 6-7-2002
CHK'D BY:

DRAWN BY AJP
SIZE 10' X 14'

REVISED 11-12-2014
QTY 1

SALES REPRESENTATIVE
TOM DUEMLING