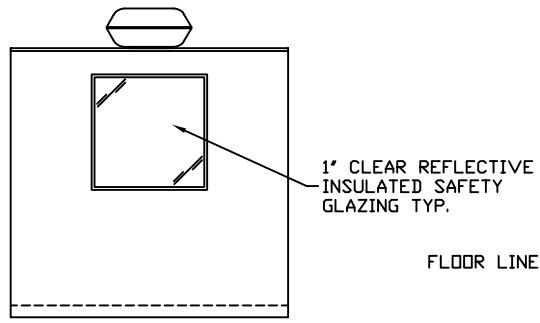
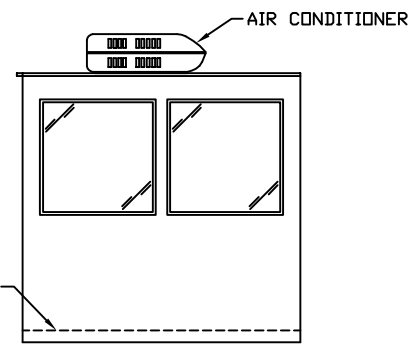


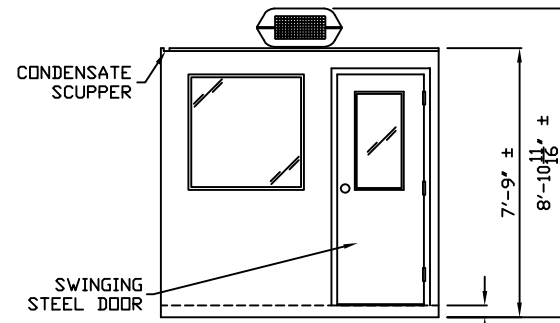
E1 ELEVATION



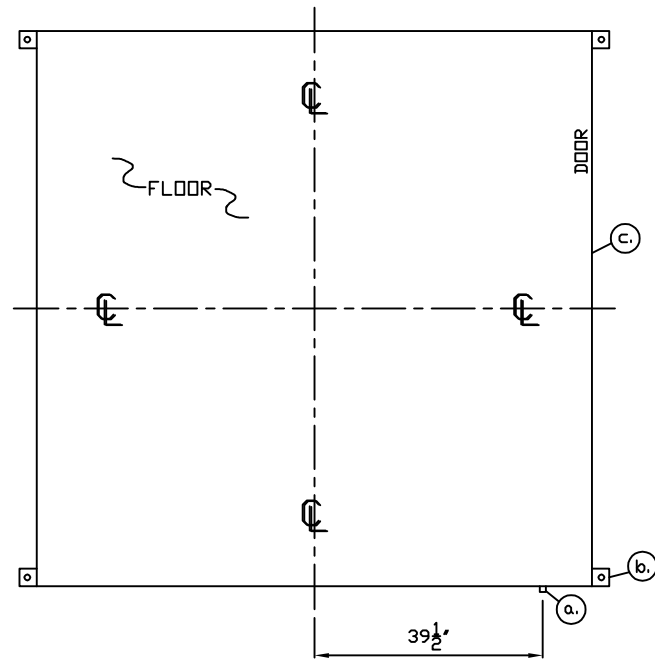
E2 ELEVATION



E3 ELEVATION

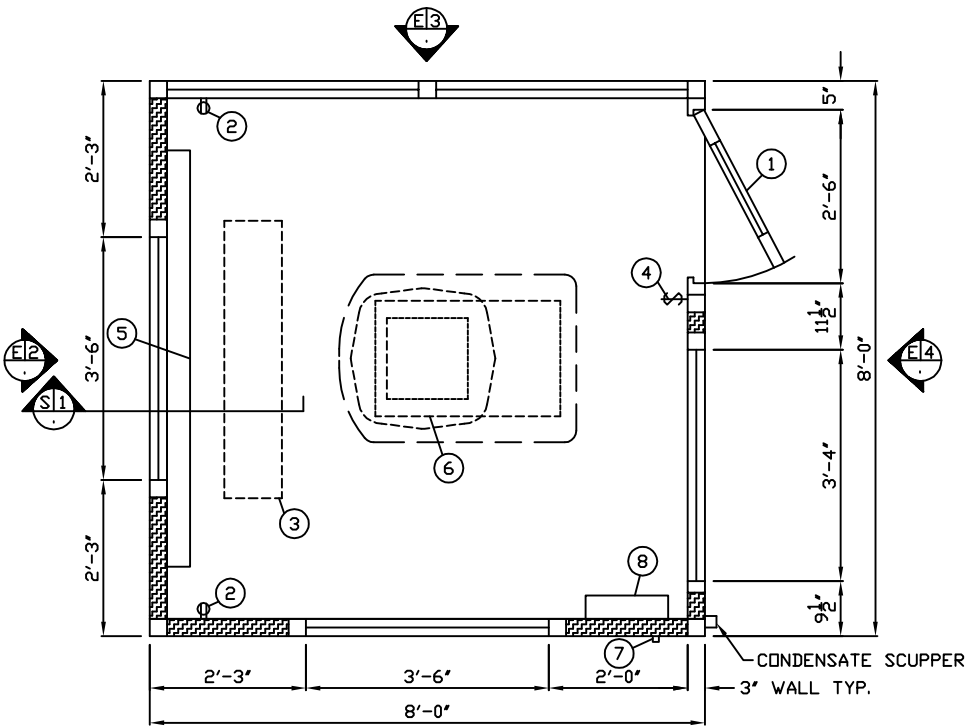


E4 ELEVATION

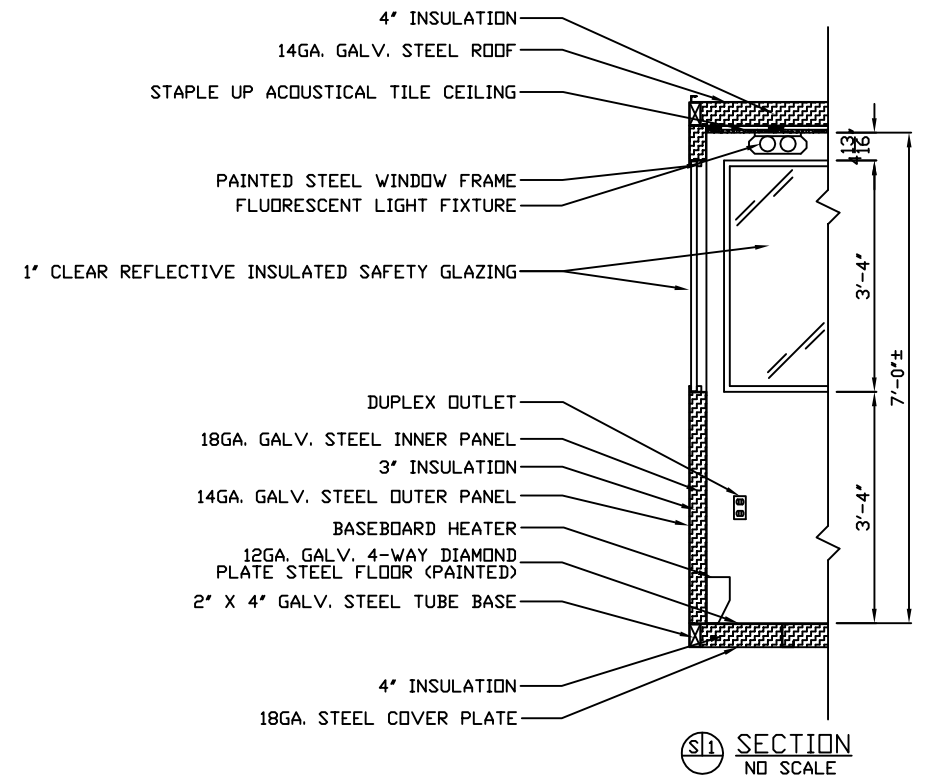


- a. 1" DIA. NIPPLE THRU WALL FOR ELECTRICAL SERVICE ENTRANCE TO C.B. PANEL.
- b. 3" X 3" X 1/4" MIN. ANCHOR CLIP WITH 1" ANCHOR BOLT HOLE, 4-REQ'D. ONE EACH CORNER. ANCHOR BOLT AFTER FINAL LOCATION. ANCHOR BOLTS NOT INCLUDED
- c. OUTER EDGE OF BASE

NOTE: PROVIDE 120/240V, 1Ø-3 WIRE SERVICE WITH GROUND. SERVICE ENTRANCE/ANCHOR BOLT LAYOUT



E1 PLAN VIEW

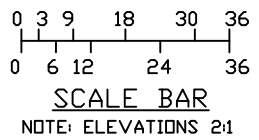


S1 SECTION  
NO SCALE

1. DOOR- 30" WIDE SWINGING STEEL WITH WEATHER-STRIPPING, BALL BEARING BUTTS, SAFETY GLAZING, HYDRAULIC CLOSER, LOCK, AND HARDWARE.
2. GFI RECEPTACLE EACH ON A SEPERATE DEDICATED CIRCUIT MOUNTED 18" ABOVE FLOOR, 2-REQ'D.
3. FLUORESCENT LIGHT FIXTURE WITH ACRYLIC LENS.
4. SWITCH FOR INTERIOR LIGHT.
5. 6' BASEBOARD HEATER- 240V/1,500 WATT MOUNTED AT FLOOR WITH INTEGRAL THERMOSTAT CONTROL.
6. AIR CONDITIONER- 120V/13,500 BTU WITH HEAT STRIP ROOF MOUNTED WITH INTEGRAL THERMOSTAT CONTROL.
7. 1" DIAMETER THRU WALL FOR ELECTRICAL SERVICE ENTRANCE.
8. C.B. PANEL- 12 SPACE 120/240V 1Ø-3 WIRE WITH GROUND. 100 AMP MAIN BREAKER INCLUDED.

NOTES: PAR-KUT BOOTHS ARE OF SINGLE UNIT WELDED GALVANIZED STEEL CONSTRUCTION, FACTORY ASSEMBLED AND DELIVERED SET UP. FAILURE TO SECURELY ANCHOR BOOTH MAY RESULT IN OVERTURNING OF UNIT AND SERIOUS INJURY TO OCCUPANT.

- A. GLAZING- 1" CLEAR REFLECTIVE INSULATED SAFETY GLAZING SET IN PAINTED STEEL WINDOW FRAMES.
- B. PAINT- A RUST INHIBITIVE PRIMER WITH AN INDUSTRIAL FINISH.
- C. ELECTRICAL- ALL WIRING BY PAR-KUT TO BE #12(MIN) STRANDED COPPER, THHN ENCLOSED IN 1/2"(MIN) E.M.T. PER NATIONAL ELECTRIC CODE. FITTINGS, FIXTURES, AND DEVICES ARE U.L. LABELED. ALL WIRING TO TERMINATE AT C.B. PANEL. ALL CIRCUITS HAVE GREEN GROUND WIRE.
- D. BOOTH WILL HAVE NO CANOPY OVERHANG ON ANY SIDE.
- E. LIFTING RING(S) AR PROVIDED IN ROOF.
- F. NO ON SITE WORK BY PAR-KUT.



NOTE: THIS PRINT AND DESIGN ARE THE PROPERTY OF PAR-KUT INTERNATIONAL, INC. IT MUST NOT BE REPRODUCED IN ANY MANNER, NOR SHALL IT BE SUBMITTED TO OUTSIDE PARTIES FOR EXAMINATION WITHOUT OUR CONSENT. IT SHALL BE USED ONLY AS A MEANS OF REFERENCE TO WORK DESIGNED AND FURNISHED BY PAR-KUT. PAR-KUT RESERVES THE RIGHT TO MAKE CHANGES TO DESIGN FOR ENGINEERING PURPOSES WITHOUT NOTICE. REVISIONS MAY NOT BE NOTED.

PAR-KUT INTERNATIONAL, INC.  
40961 Production Drive  
Harrison Twp, Mich.  
48045-1551  
PH. (586) 468-2947



DWG# PSQ-003 SHEET A-1

8' X 8' BOOTH

GENERAL NOTES

PAINT COLOR:  
(PLEASE SPECIFY COLOR)

INSULATED BASE  
STAPLE UP ACOUSTIC TILE CEILING

PO#	SCALE	DRAWN BY	REVISED
	NTS	NSG	
DATE	SIZE	QTY	
	8' X 8'		
CHK'D BY:	SALES REPRESENTATIVE		