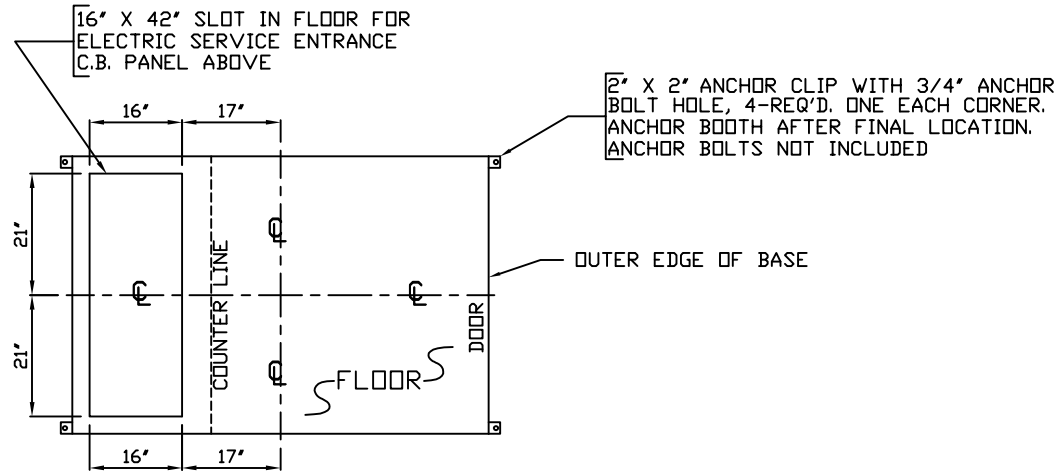
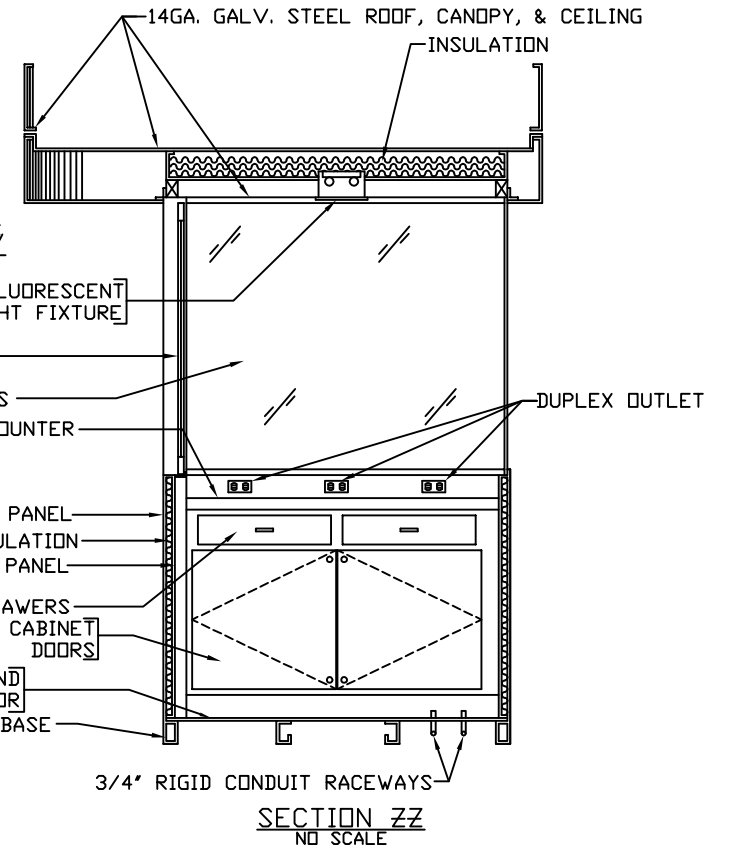
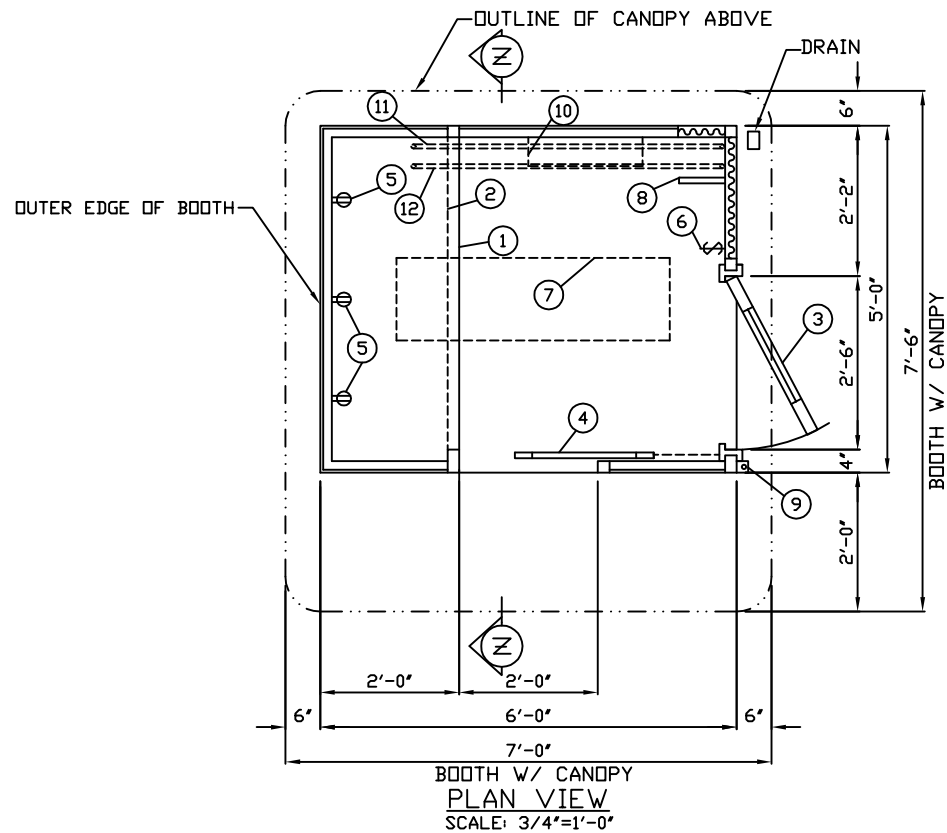


FLOOR TO CEILING 7'-6"
 FLOOR TO SILL 3'-6"
 FLOOR TO COUNTER 3'-2"



SERVICE ENTRANCE/ANCHOR BOLT LAYOUT
 SCALE: 3/4"=1'-0"

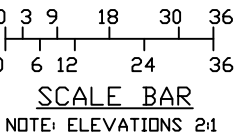


BOOTH W/ CANOPY
 PLAN VIEW
 SCALE: 3/4"=1'-0"

1. COUNTER- 22" DEEP STAINLESS STEEL.
2. CABINET- 20" DEEP STAINLESS STEEL WITH (2)-4" DEEP STORAGE DRAWERS & 2-LOCKING CABINET DOORS.
3. DOOR- 30" WIDE, SWINGING 14GA. STEEL WITH SAFETY GLAZING, WEATHERSTRIPPING, BALL BEARING BUTTS, CUSH-N-STOP HYDRAULIC CLOSER, MORTISE LEVER LOCKSET.
4. CASHIER WINDOW- 24" HIGH, TOP SUSPENDED, 40" ABOVE GRADE.
5. DUPLEX OUTLET- 110V. (3-REQ'D)
6. LIGHT SWITCH.
7. LIGHT- 2-34W. LAMP RECESSED FLUORESCENT LIGHT FIXTURE.
8. COAT CUBICAL- 8" X 8" WITH (2) COAT HOOKS.
9. 2" X 2" ANCHOR CLIPS WITH 3/4" ANCHOR BOLT HOLE, 4-REQ'D, ONE EACH CORNER. ANCHOR BOOTH AFTER FINAL LOCATION. ANCHOR BOLTS NOT INCLUDED.
10. LOCATION OF CUSTOMER INSTALLED HEATER.
11. 3/4" RIGID CONDUIT FROM FRONT SLOT UP THROUGH REAR WALL STUBBING AT ROOF.
12. 3/4" RIGID CONDUIT FROM FLOOR SLOT UP THROUGH REAR WALL.

NOTE: PAR-KUT BOOTHS ARE OF SINGLE UNIT WELDED GALVANIZED STEEL CONSTRUCTION, FACTORY ASSEMBLED AND DELIVERED SET UP. FAILURE TO SECURELY ANCHOR BOOTH MAY RESULT IN OVERTURNING OF UNIT AND SERIOUS INJURY TO OCCUPANT.

- A. GLAZING- 1/4" CLEAR SAFETY GLASS WITH HEAVY DUTY SILICONE SEALANT.
- B. PAINT- RUST INHIBITIVE EPOXY PRIMER WITH INDUSTRIAL ENAMEL FINISH. (PLEASE SPECIFY COLOR)
- C. NO ELECTRIC FIXTURES OR FURNISH WIRING RACEWAYS, BOXES & FITTINGS ONLY. (CALL TO BE CSA APPROVED)
- D. CANOPY OVERHANG TO BE 24" ON LEFT ELEVATION ONLY, OTHER 3-SIDES WILL HAVE A 6" OVERHANG.
- E. LIFTING RING(S) PROVIDED IN ROOF.
- F. NO ON SITE WORK BY PAR-KUT.



NOTE: THIS PRINT AND DESIGN ARE THE PROPERTY OF PAR-KUT INTERNATIONAL, INC. IT MUST NOT BE REPRODUCED IN ANY MANNER, NOR SHALL IT BE SUBMITTED TO OUTSIDE PARTIES FOR EXAMINATION WITHOUT OUR CONSENT. IT SHALL BE USED ONLY AS A MEANS OF REFERENCE TO WORK DESIGNED AND FURNISHED BY PAR-KUT. PAR-KUT RESERVES THE RIGHT TO MAKE CHANGES TO DESIGN FOR ENGINEERING PURPOSES WITHOUT NOTICE. REVISIONS MAY NOT BE NOTED.

PAR-KUT INTERNATIONAL, INC.
 40961 Production Drive
 Harrison Twp, Mich.
 48045-1551
 PH. (586) 468-2947



DWG# PAR-003 SHEET A-1

5' X 6' PARVUE

GENERAL NOTES		
PAINT COLOR: (PLEASE SPECIFY COLOR)		
PO#	SCALE	DRAWN BY
	NTS	NSG
DATE	SIZE	QTY
	5' X 6'	
CHK'D BY:	SALES REPRESENTATIVE	