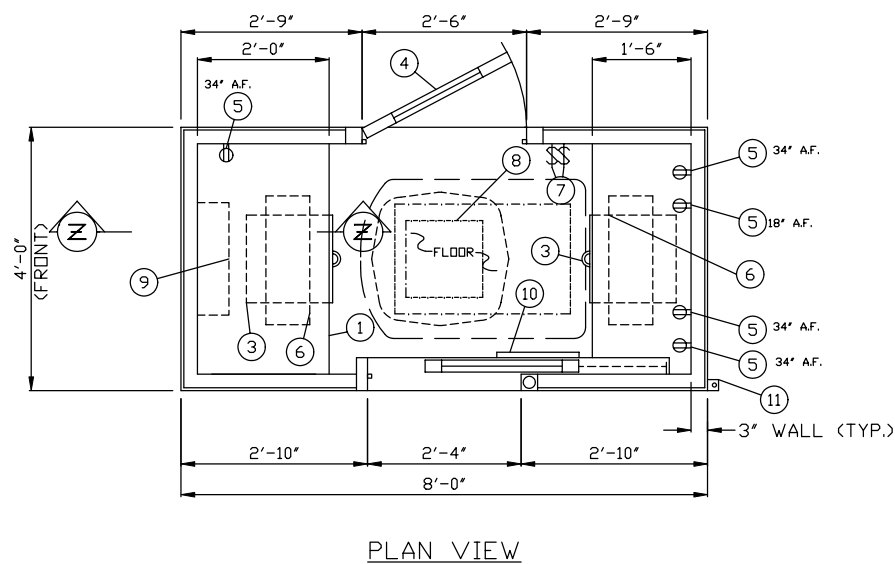
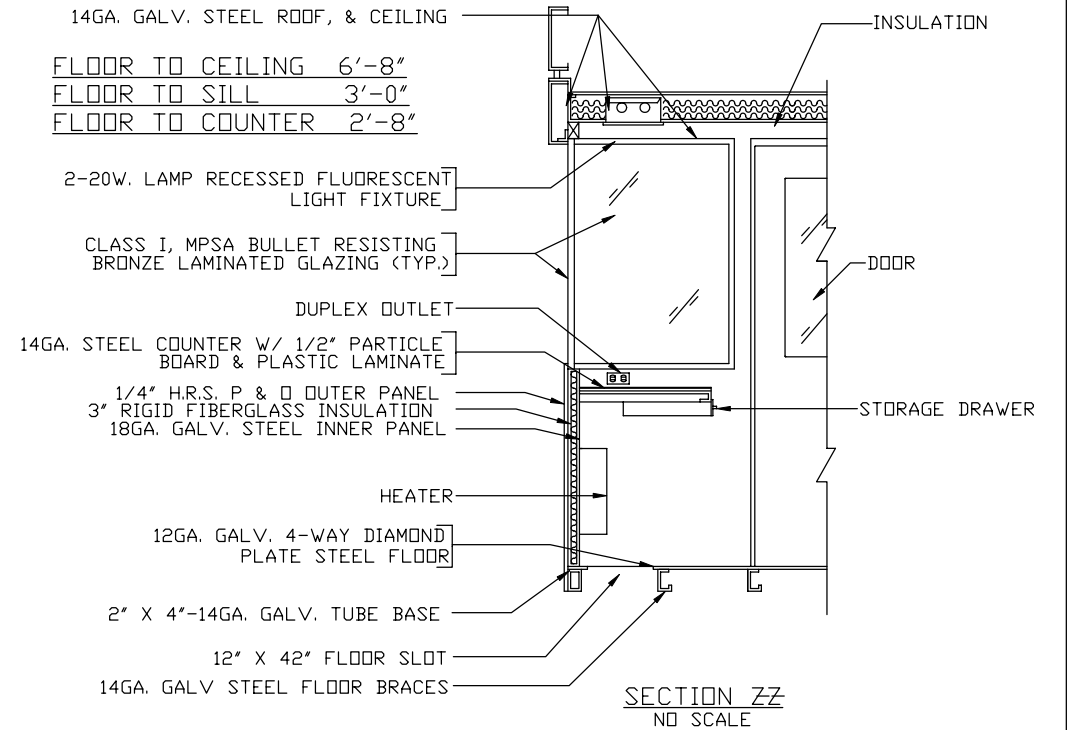


NOTE: PROVIDE 120/240V, 1Ø-3W, 60AMP SERVICE WITH GROUND
 SERVICE ENTRANCE/ANCHOR BOLT LAYOUT



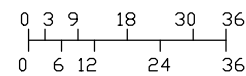
PLAN VIEW



1. FRONT COUNTER- 24" DEEP, 14GA. GALVANIZED STEEL WITH PL. LAMINATE TOP & EDGE. 32" A.F. (PLEASE SPECIFY COLOR)
2. REAR COUNTER- 18" DEEP, 14GA. GALV. STEEL WITH PL. LAMINATE TOP & EDGE. 32" A.F. (PLEASE SPECIFY COLOR)
3. STORAGE DRAWER- MOUNTED BELOW COUNTER. 2-REQ'D
4. DOOR- 30" WIDE, SWINGING STEEL WITH SAFETY GLAZING, WEATHER-STRIPPING, HYDRAULIC CLOSER, BALL BEARING BUTTS, 1/4" H.R.S. P & D OUTER PANEL, PANIC EXIT DEVICE & HARDWARE.
5. DUPLEX OUTLET- 110V, 4-REQ'D ABOVE COUNTER, 1-REQ'D BELOW COUNTER.
6. LIGHT- 2-20W. LAMP RECESSED FLUORESCENT LIGHT FIXTURE. 2-REQ'D
7. LIGHT SWITCH- 2-REQ'D, ONE SWITCH PER LIGHT FIXTURE.
8. AIR CONDITIONER 120V./13,500 BTU ROOF MOUNTED WITH INTEGRAL THERMOSTAT CONTROL
9. HEATER 208v./4200w. FAN FORCED WITH INTEGRAL THERMOSTAT CONTROL
10. C.B. PANEL- SQ-D #QD20L125 120/240V, 1Ø-3W, WITH GROUND BAR, 20 SPACES & QDM60VH 60AMP MAIN BREAKER.
11. ANCHOR CLIP- 2" X 2" STEEL WELDED TO BASE AT GRADE WITH 3/4" BOLT HOLE. 4-REQ'D, ONE EACH CORNER. ANCHOR BODDY AFTER FINAL LOCATION. ANCHOR BOLTS NOT INCLUDED.

NOTE: PAR-KUT BOOTHS ARE OF SINGLE UNIT WELDED GALVANIZED STEEL CONSTRUCTION, FACTORY ASSEMBLED AND DELIVERED SET UP. FAILURE TO SECURELY ANCHOR BOOTH MAY RESULT IN OVERTURNING OF UNIT AND SERIOUS INJURY TO OCCUPANT.

- A. GLAZING TO BE CLASS I, MP5A BULLET RESISTING BRONZE LAMINATED GLAZING WITH CLEAR ANODIZED ALUMINUM GLASS STOPS AND BLACK PAINTED STEEL EDGE GUARDS.
- B. PAINT- A RUST INHIBITIVE EPOXY PRIMER WITH A DUPONT POLYACRYL FINISH. (PLEASE SPECIFY COLOR)
- C. ELECTRICAL- ALL WIRING BY PAR-KUT TO BE #12(MIN) STRANDED COPPER, THHN ENCLOSED IN 1/2"(MIN) E.M.T. PER NATIONAL ELECTRIC CODE. FITTINGS, FIXTURES & DEVICES ARE U.L. LABELED. ALL WIRING TO TERMINATE AT C.B. PANEL. ALL CIRCUITS HAVE GREEN GROUND WIRE.
- D. CANOPY OVERHANG TO BE 3" ON ALL SIDES.
- E. COUNTER HAS 1/2" PARTICLE BOARD & PLASTIC LAMINATE.
- F. FLOOR, ROOF & AIR CONDITIONER ARE NOT BULLET RESISTING.
- G. LIFTING RING(S) PROVIDED IN ROOF.
- H. NO ON SITE WORK BY PAR-KUT.



SCALE BAR

NOTE: ELEVATIONS 2:1

DRAWING IS AS FABRICATED
 FOR RECORD PURPOSES ONLY

REVISIONS	
1.	CHANGE FLOOR SLOT TO 3' X 12'.
2.	ADDED PAINT AND PLASTIC LAMINATE COLOR SELECTIONS.
A/E NOTES	
DUPONT POLYACRYL COLOR:	CABERNET #1049
PL. LAMINATE COLOR:	PEARL SAND #4604-50
GLASS EDGE GUARDS PAINTED BLACK.	
LAY-IN ANTI-FATQUE MAT.	
CLASS I BULLET RESISTING FLOOR, ROOF & A/C NOT BULLET RESISTING.	

NOTE: THIS PRINT AND DESIGN ARE THE PROPERTY OF PAR-KUT INTERNATIONAL, INC. IT MUST NOT BE REPRODUCED IN ANY MANNER, NOR SHALL IT BE SUBMITTED TO OUTSIDE PARTIES FOR EXAMINATION WITHOUT OUR CONSENT. IT SHALL BE USED ONLY AS A MEANS OF REFERENCE TO WORK DESIGNED AND FURNISHED BY PAR-KUT. PAR-KUT RESERVES THE RIGHT TO MAKE CHANGES TO DESIGN FOR ENGINEERING PURPOSES WITHOUT NOTICE.

PAR-KUT INTERNATIONAL, INC. 40961 Production Drive Harrison Twp., Mich. 48045-1351 PH. (810) 468-2947		
DWG# 97298		
WILLIAM BEAUMONT HOSPITAL TRDY, MI.		
PO# VERBAL CHRIS HENGSTEBECK		
SCALE	DRAWN BY	REVISED
NONE	DFS	8-06-97 DME
DATE	SIZE	QTY
6-25-97	4' X 8'	1
CHK'D BY:	REVISION(S) CHK'D BY:	