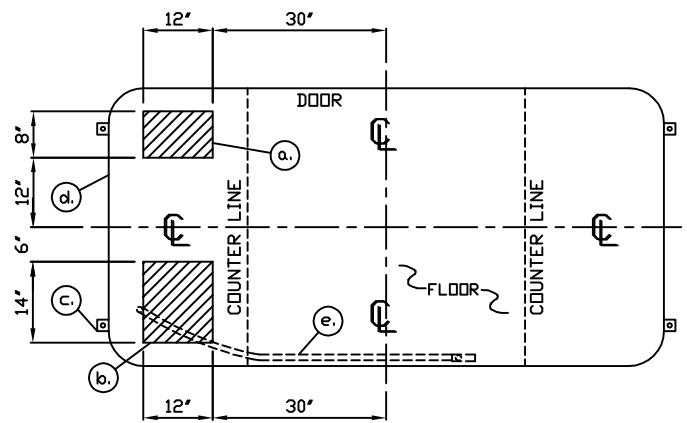


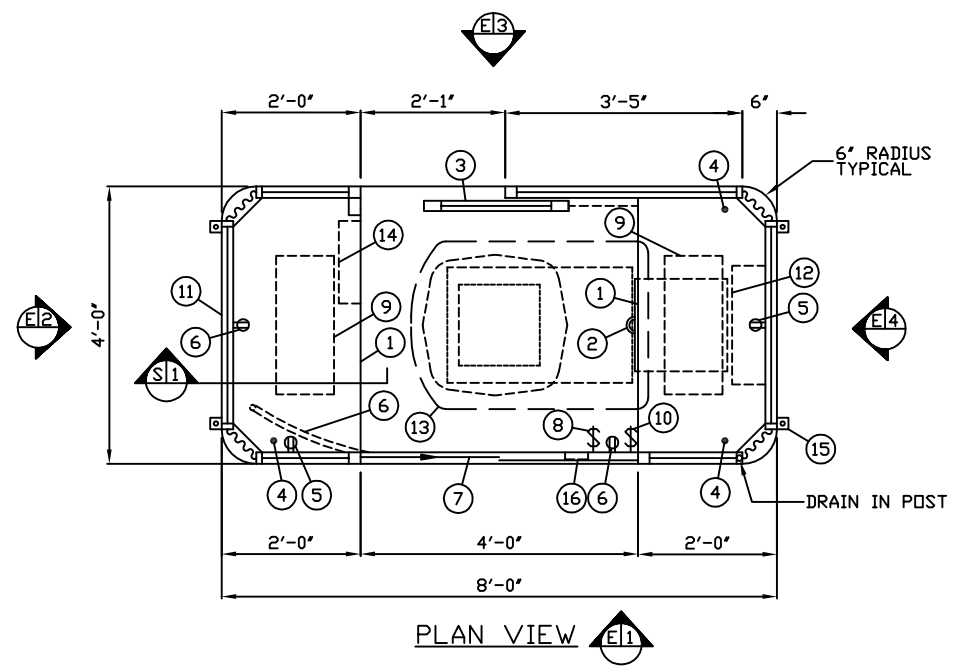
- 12" X 14" SLOT IN FLOOR FOR ELECTRIC SERVICE ENTRANCE TO C.B. PANEL ABOVE
- 12" X 14" SLOT IN FLOOR FOR ELECTRIC SERVICE ENTRANCE TO C.B. PANEL ABOVE
- 2" X 2" X 1/4" MIN. ANCHOR CLIP WITH 3/4" ANCHOR BOLT HOLE, 4-REQ'D. ONE EACH CORNER. ANCHOR BOOTH AFTER FINAL LOCATION. ANCHOR BOLTS NOT INCLUDED
- OUTER EDGE OF BASE
- RACEWAY FROM SLOT IN FLOOR TO FEE DISPLAY AS SHOWN.



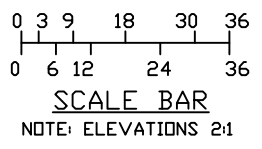
NOTE: PROVIDE 120/208V. 1Ø-3 WIRE SERVICE WITH GROUND. SERVICE ENTRANCE/ANCHOR BOLT LAYOUT

- COUNTER- 22" DEEP GALVANIZED STEEL WITH 1/2" PARTICLE BOARD AND PLASTIC LAMINATE TOP & EDGE MOUNTED 32" ABOVE CARPET, 2-REQ'D.
- STORAGE DRAWER MOUNTED BELOW REAR COUNTER.
- DOOR- 25" WIDE, SLIDING STEEL WITH WEATHER-STRIPPING, BALL BEARING HANGERS, SAFETY GLAZING, HEAVY DUTY TRACK, MAXIMUM SECURITY HOOKBOLT LOCK WITH SARGENT KEY CYLINDER AND REMOVABLE CORE (THUMB BURN INTERIOR) & HARDWARE.
- 1-1/4" HOLE IN COUNTER FOR DROP CORDS, 4-REQ'D.
- DUPLEX OUTLET- MOUNTED ABOVE COUNTER, 3-REQ'D.
- ISOLATED GROUND SINGLE RECEPTACLE MOUNTED ABOVE COUNTER.
- ROLLER CASHIER WINDOW.
- LIGHT SWITCH MOUNTED ABOVE COUNTER FOR INTERIOR LIGHTS.
- LIGHT- FLUORESCENT RECESSED LIGHT FIXTURE WITH LENS, 2-REQ'D.
- SINGLE POLE DOUBLE THROW TOGGLE SWITCH WITH INDICATOR LIGHTS FOR RED/GREEN TRAFFIC LIGHT.
- RED/GREEN TRAFFIC LIGHT WITH LENSES RECESSED IN FASCIA, LASHMAR FLUSH-NS-BL4.
- HEATER- 208V./4,200 WATT FAN FORCED WITH INTEGRAL THERMOSTAT CONTROL.
- AIR CONDITIONER- 120V./13,500 BTU ROOF MOUNTED WITH INTEGRAL THERMOSTAT CONTROL.
- C.B. PANEL- 120/208V. 1Ø-3 WIRE WITH GROUND BAR. COVER WITH DOOR IS INCLUDED.
- ANCHOR CLIP- 2" X 2" X 1/4" MIN. STEEL WELDED TO BASE AT GRADE WITH 3/4" ANCHOR BOLT HOLE. 4-REQ'D. ANCHOR BOOTH AFTER FINAL LOCATION. ANCHOR BOLTS NOT INCLUDED.
- 4" X 4" JUNCTION BOX IN WALL WITH 3/4" RACEWAY UNDER FLOOR TO FLOOR SLOT ACCESS.

NOTE: PAR-KUT BOOTHS ARE OF SINGLE UNIT WELDED GALVANIZED STEEL CONSTRUCTION, FACTORY ASSEMBLED AND DELIVERED SET UP. FAILURE TO SECURELY ANCHOR BOOTH MAY RESULT IN OVERTURNING OF UNIT AND SERIOUS INJURY TO OCCUPANT.



DRAWING IS AS FABRICATED FOR RECORD PURPOSES ONLY



- GLAZING TO BE GRAY TINTED TEMPERED SAFETY GLAZING WITH STEEL EXTERIOR WINDOW FRAMES AND ALUMINUM INTERIOR GLAZING STOPS.
- PAINT- A RUST INHIBITIVE PRIMER WITH AN INDUSTRIAL FINISH.
- ELECTRICAL- ALL WIRING BY PAR-KUT TO BE #12(MIN) STRANDED COPPER, THHN ENCLOSED IN 1/2"(MIN) E.M.T. PER NATIONAL ELECTRIC CODE. FITTINGS, FIXTURES & DEVICES ARE U.L. LABELED. ALL WIRING TO TERMINATE AT C.B. PANEL. ALL CIRCUITS HAVE GREEN GROUND WIRE.
- BOOTH WILL NOT HAVE A CANOPY OVERHANG.
- LIFTING RING(S) ARE PROVIDED IN ROOF.
- NO ON SITE WORK BY PAR-KUT.

GENERAL NOTES		
PAINT COLOR: (PLEASE SPECIFY COLOR)		
PO#	DRAWN BY NSG	
SCALE NTS	DATE	REVISED
	SIZE 4' X 8'	QTY
CHK'D BY:	SALES REPRESENTATIVE	

NOTE: THIS PRINT AND DESIGN ARE THE PROPERTY OF PAR-KUT INTERNATIONAL, INC. IT MUST NOT BE REPRODUCED IN ANY MANNER, NOR SHALL IT BE SUBMITTED TO OUTSIDE PARTIES FOR EXAMINATION WITHOUT OUR CONSENT. IT SHALL BE USED ONLY AS A MEANS OF REFERENCE TO WORK DESIGNED AND FURNISHED BY PAR-KUT. PAR-KUT RESERVES THE RIGHT TO MAKE CHANGES TO DESIGN FOR ENGINEERING PURPOSES WITHOUT NOTICE. REVISIONS MAY NOT BE NOTED.

PAR-KUT INTERNATIONAL, INC.
 40961 Production Drive
 Harrison Twp, Mich.
 48045-1551
 PH. (586) 468-2947

DWG# CEN-005 SHEET A-1

4' X 8' CENTRY