

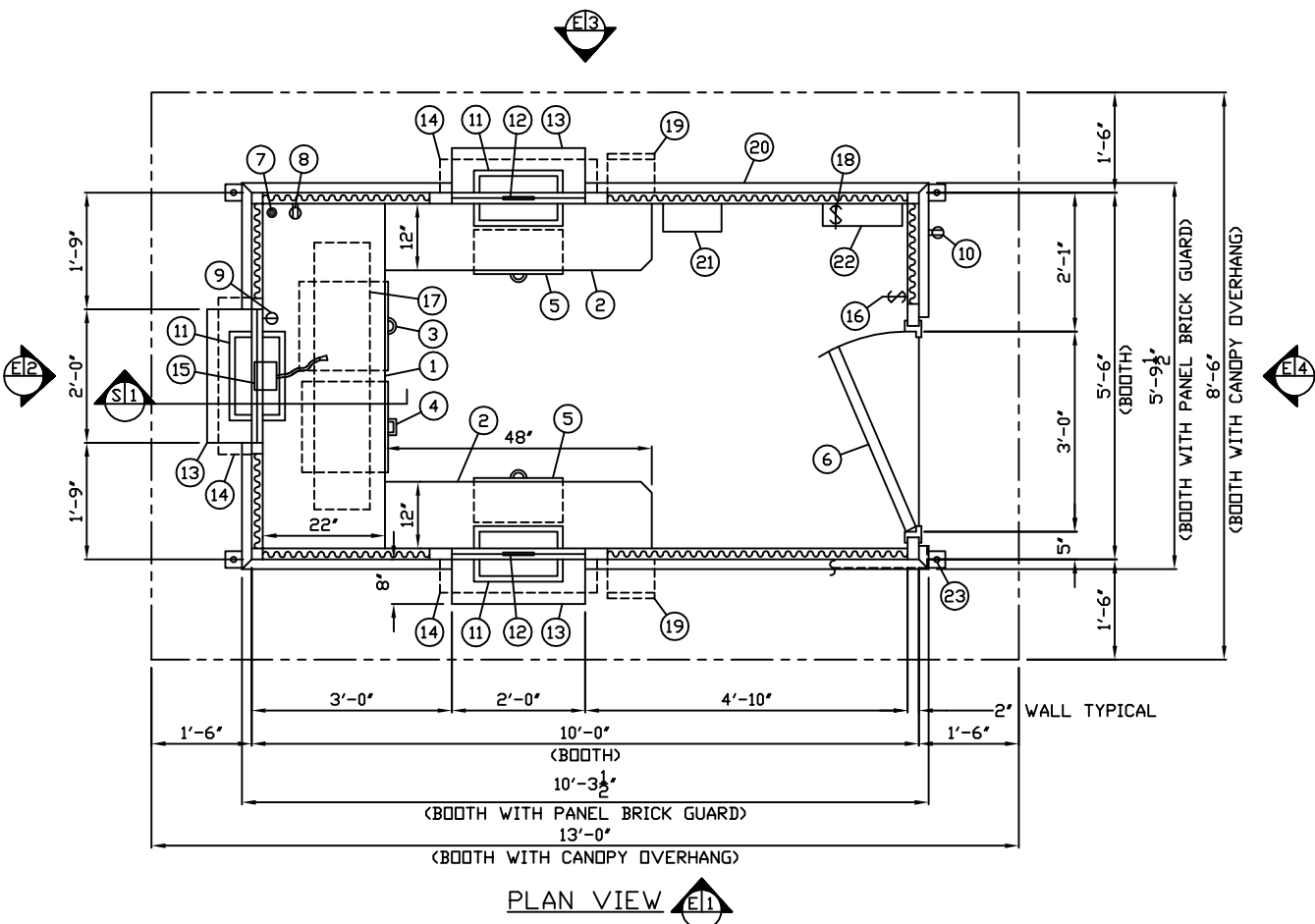
- a. 3" X 6" SLOT IN FLOOR FOR ELECTRIC SERVICE ENTRANCE TO C.B. PANEL ABOVE
- b. 5/16" X 3" ANCHOR BAR WITH 1" ANCHOR BOLT HOLE, 4-REQ'D. AS SHOWN. ANCHOR BOOTH AFTER FINAL LOCATION. ANCHOR BOLTS NOT INCLUDED
- c. OUTER EDGE OF BASE

NOTE: PROVIDE 120/240V. 1Ø-3 WIRE SERVICE WITH GROUND. SERVICE ENTRANCE/ANCHOR BOLT LAYOUT

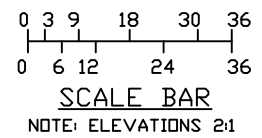
1. COUNTER- 22" DEEP PAINTED GALVANIZED STEEL MOUNTED 36" ABOVE FLOOR.
2. COUNTER- 12" DEEP PAINTED GALVANIZED STEEL MOUNTED 36" ABOVE FLOOR.
3. PAINTED STORAGE DRAWER BENEATH COUNTER.
4. R-1 INDIANA CASHIER DRAWER WITH LOCKING INSERT BENEATH COUNTER.
5. CUSTOM SIZE PAINTED STORAGE DRAWER BENEATH COUNTER, 2-REQ'D.
6. DOOR- 36" WIDE, IN SWINGING STEEL WITH WEATHER-STRIPPING, BALL BEARING BUTTS, PEEP HOLE, HYDRAULIC CLOSER, MORTISE LOCKSET WITH REMOVABLE CORE, & HARDWARE.
7. HOLE IN COUNTER FOR DROP CORDS TO OUTLET.
8. DUPLEX OUTLET- MOUNTED BELOW COUNTER.
9. SINGLE RECEPTACLE FOR ELECTRONIC TALK THROUGH UNIT.
10. GROUND FAULT INTERRUPT RECEPTACLE MOUNTED TO EXTERIOR OFF BOOTH.
11. CASHIER DEAL TRAY, 3-REQ'D.
12. NATURAL VOICE SPEAK TUBE, 2-REQ'D.
13. EXTERIOR SHELF 8" DEEP PAINTED GALVANIZED STEEL, 3-REQ'D.
14. PULL DOWN ALUMINUM SECURITY SHUTTER, 3-REQ'D.
15. NORCON ELECTRONIC TALK THOUGH UNIT, MODEL #TTU-1.
16. LIGHT SWITCH FOR INTERIOR OFFICE LIGHT.
17. LIGHT- 2-34 WATT FLUORESCENT LIGHT FIXTURE WITH LENS.
18. LIGHT SWITCH FOR EXTERIOR LIGHTS.
19. HIGH PRESSURE SODIUM EXTERIOR LIGHT WITH 70 WATT LAMP, 2-REQ'D.
20. 1-3/4" PAINTED GALV. STEEL PANEL BRICK GUARD.
21. HEATER- 120V./1,500 WATT FAN FORCED WITH INTEGRAL THERMOSTAT CONTROL.
22. C.B. PANEL- 12 SPACE 120/240V. 1Ø-3 WIRE WITH GROUND BAR. 100 AMP MAIN BREAKER IS INCLUDED.
23. ANCHOR BAR- 5/16" X 3" STEEL WELDED TO BASE AT GRADE WITH 1" ANCHOR BOLT HOLE. 4-REQ'D. ANCHOR BOOTH AFTER FINAL LOCATION. ANCHOR BOLTS NOT INCLUDED.

NOTE: PAR-KUT BOOTHS ARE OF SINGLE UNIT WELDED GALVANIZED STEEL CONSTRUCTION, FACTORY ASSEMBLED AND DELIVERED SET UP. FAILURE TO SECURELY ANCHOR BOOTH MAY RESULT IN OVERTURNING OF UNIT AND SERIOUS INJURY TO OCCUPANT.

- A. GLAZING TO BE 1/4" CLEAR POLYCARBONATE SAFETY GLAZING SET IN PAINTED STEEL WINDOW FRAMES.
- B. PAINT- A RUST INHIBITIVE PRIMER WITH AN INDUSTRIAL FINISH.
- C. ELECTRICAL- ALL WIRING BY PAR-KUT TO BE #12(MIN) STRANDED COPPER, THHN ENCLOSED IN 1/2"(MIN) E.M.T. PER NATIONAL ELECTRIC CODE. FITTINGS, FIXTURES & DEVICES ARE U.L. LABELED. ALL WIRING TO TERMINATE AT C.B. PANEL. ALL CIRCUITS HAVE GREEN GROUND WIRE.
- D. BOOTH WILL HAVE A 18" CANOPY OVERHANG ON ALL SIDES.
- E. LIFTING RING(S) ARE PROVIDED IN ROOF.
- F. NO ON SITE WORK BY PAR-KUT.



DRAWING IS AS FABRICATED FOR RECORD PURPOSES ONLY



NOTE: THIS PRINT AND DESIGN ARE THE PROPERTY OF PAR-KUT INTERNATIONAL, INC. IT MUST NOT BE REPRODUCED IN ANY MANNER, NOR SHALL IT BE SUBMITTED TO OUTSIDE PARTIES FOR EXAMINATION WITHOUT OUR CONSENT. IT SHALL BE USED ONLY AS A MEANS OF REFERENCE TO WORK DESIGNED AND FURNISHED BY PAR-KUT. PAR-KUT RESERVES THE RIGHT TO MAKE CHANGES TO DESIGN FOR ENGINEERING PURPOSES WITHOUT NOTICE. REVISIONS MAY NOT BE NOTED.

PAR-KUT INTERNATIONAL, INC. 40961 Production Drive Harrison Twp, Mich. 48045-1351 PH. (986) 468-2947			
DWG#	02-302	SHEET	A-1
WAYNE STATE UNIVERSITY FOOTBALL STADIUM TICKET BOOTHS DETROIT, MI			
PD#	Y342405	SCALE	NTS
DATE	6-3-2002	SIZE	5'-6" X 10'
CHK'D BY:		SALES REPRESENTATIVE	TOM DUEMLING
DRAWN BY	AJP	REVISED	11-6-2014
QTY	1		

A/E NOTES		
PAINT COLOR: HUNTER GREEN DC5517		
PANEL BRICK COLOR: ALGER		
SHUTTER COLOR: BRONZE		