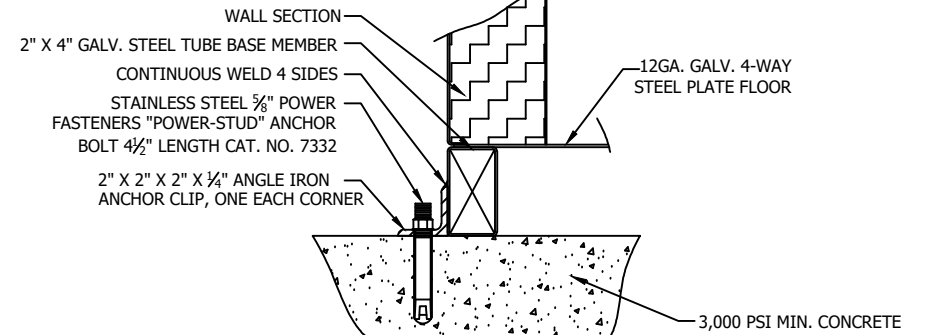
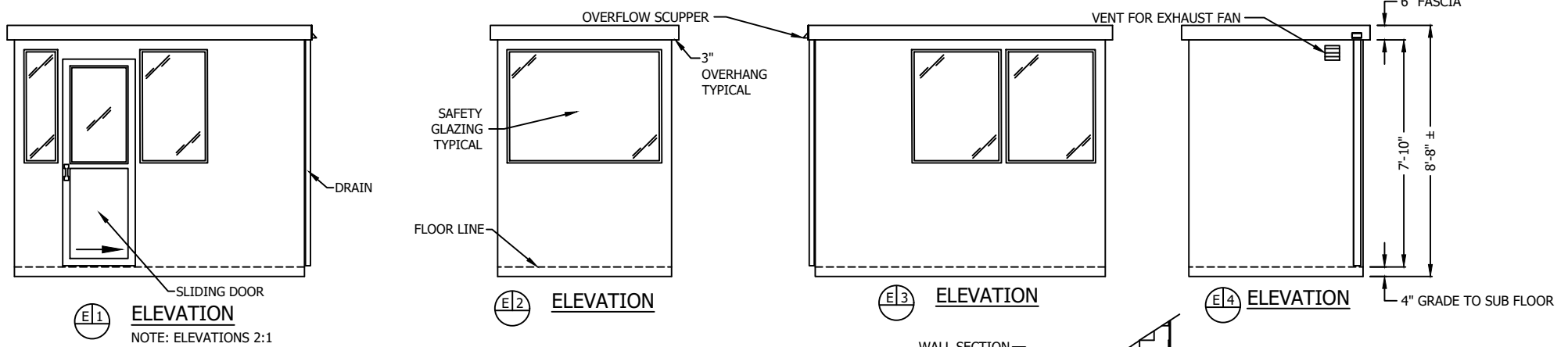
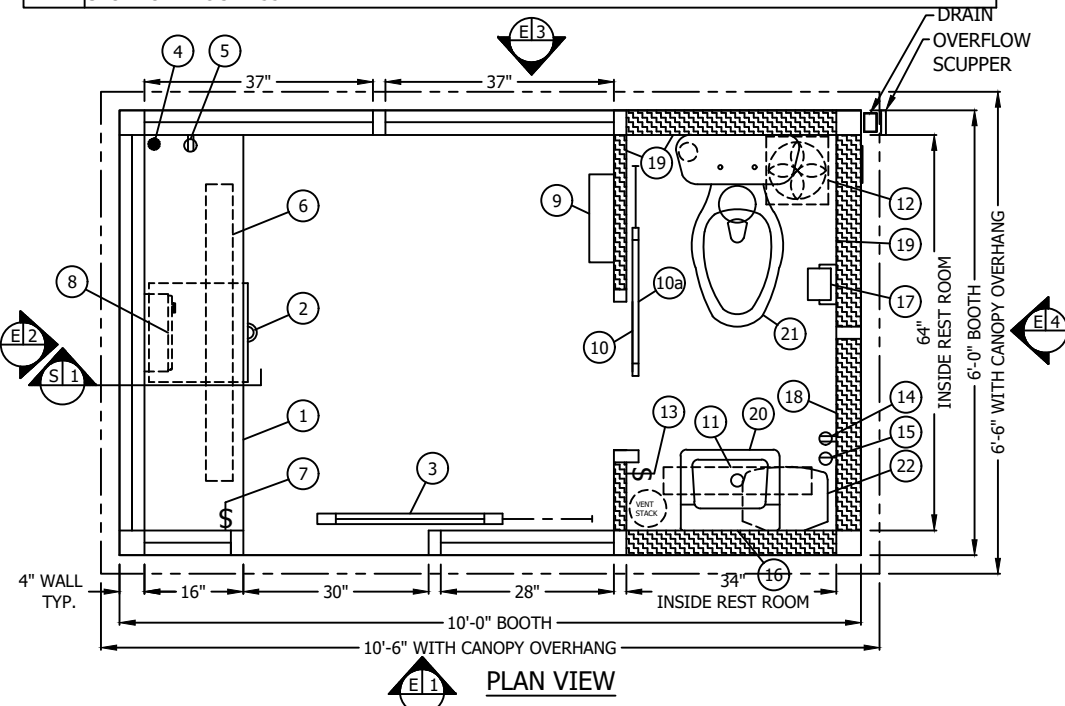


**SERVICE ENTRANCE/ANCHOR BOLT LAYOUT**

ITEM	DESCRIPTION	QTY.
a	3" X 6" SLOT IN FLOOR WITH 5" X 8" REMOVABLE SCREW-DOWN ALUMINUM TREADPLATE LID, (2) SCREWS REQ'D. FOR ELECTRICAL SERVICE ENTRANCE TO C.B. PANEL.	1
b	3"Ø HOLE THROUGH FLOOR FOR WATER INLET.	1
c	6"Ø HOLE THROUGH FLOOR FOR WATER CLOSET.	1
d	VENT STACK: 6"Ø HOLE THROUGH FLOOR 5"Ø HOLE THROUGH ROOF	2
e	2" X 2" X 1/4" (MIN) STEEL ANCHOR CLIP WITH A 3/4" ANCHOR BOLT HOLE. ONE EACH CORNER. ANCHOR BUILDING AFTER FINAL LOCATION. ANCHOR BOLTS NOT INCLUDED.	4
f	OUTER EDGE OF BUILDING	1
g	BASE PERIMETER FRAME	1
h	INTERIOR WALL FACE	1
i	SUGGESTED MINIMUM FOUNDATION	1

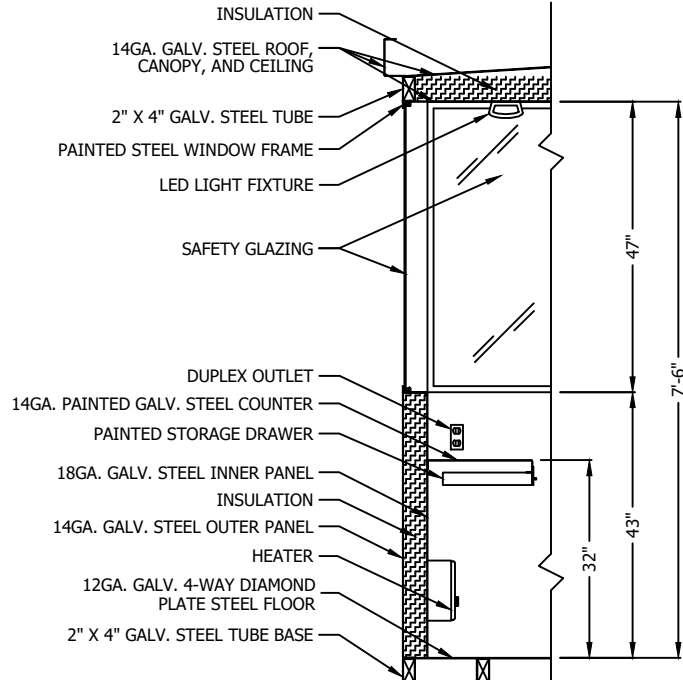
**GENERAL SITE INSTALLED ITEMS PROVIDED BY OTHERS**

1	PROVIDE 120V/240V, SINGLE PHASE, 3-WIRE SERVICE WITH GROUND. ( <b>CAN BE WIRED AS SINGLE PHASE 120/208V</b> )
2	CONCRETE FOUNDATION MINIMUM 6" DEEP, 3,000 PSI MINIMUM (28 DAY ACI 318). THE FOUNDATION SHOULD BE A MINIMUM OF 24" WIDER THAN THE BUILDING FOOT PRINT DIMENSIONS. THIS IS TO PROVIDE A 12" CONCRETE BORDER ON EACH SIDE OF THE BUILDING.
3	ADEQUATE SIZE DRILLED ANCHOR BOLTS. SUGGESTED SIZE: 5/8" X 4 1/2" POWER FASTENERS "POWER STUD" CATALOG #7332.



FIELD DRILLED ANCHOR BOLT DETAIL  
NO SCALE

THIS DRAWING IS FOR REFERENCE PURPOSES ONLY. PAR-KUT BUILDINGS MUST BE SECURELY ANCHORED IN PLACE AND ELECTRICAL SYSTEM MUST BE PROPERLY GROUNDED. ADEQUATE SIZED ANCHOR BOLTS SHALL BE USED. THE SIZE AND DEPTH OF THE ANCHORS SHOULD BE OF SUFFICIENT DESIGN TO WITHSTAND THE HIGHEST RECORDED WIND SPEEDS/SEISMIC DESIGN CATEGORY IN THE AREA OF INSTALLATION. CONSULT A PROFESSIONAL ENGINEER FAMILIAR WITH THE WEATHER CONDITIONS IN THE AREA.



(S1) SECTION  
NO SCALE

**GENERAL NOTES & COLORS**

**HIGH GLOSS PAINT COLOR:** \_\_\_\_\_  
**GLAZING TINT COLOR:** \_\_\_\_\_  
 (PLEASE SPECIFY COLORS)

**SHIPPING NOTES**  
**OVERALL SHIPPING DIMENSIONS:** 6'-6"W X 10'-7"L X 8'-8"H ±  
**ESTIMATED WEIGHT:** 3,800 LBS. ±

SOME ITEMS MAY BE SHIPPED LOOSE TO MEET SHIPPING CONSTRAINTS.  
**DRAIN DOWNSPOUTS ARE SHIPPED LOOSE AND INSTALLED ON SITE BY OTHERS.**

**GENERAL CONSTRUCTION NOTES**  
 PAR-KUT BOOTHS ARE OF SINGLE UNIT WELDED STEEL CONSTRUCTION, FACTORY ASSEMBLED AND DELIVERED SET UP. FAILURE TO SECURELY ANCHOR BOOTH MAY RESULT IN OVERTURNING OF UNIT AND SERIOUS INJURY TO OCCUPANT.

**GLAZING SPECIFICATIONS** - SAFETY GLAZING SET IN PAINTED GALVANIZED STEEL EXTERIOR WINDOW FRAMES WITH INTERIOR ALUMINUM GLAZING STOPS.

**PAINT** - FINISH SHALL BE SINGLE COLOR OF CHOICE UNLESS OTHERWISE SPECIFIED, AXALTA IMRON POLYURETHANE INDUSTRIAL COATING. SHALL BE APPLIED TO ALL EXPOSED METAL SURFACES. THIS EXCLUDES ROOF SURFACE, ALUMINUM WINDOW FRAMES AND ANY STAINLESS STEEL COMPONENTS (IF USED).

**ELECTRICAL** - ALL WIRING BY PAR-KUT TO BE #12(MIN) STRANDED COPPER, THHN ENCLOSED IN 1/2"(MIN) E.M.T. AND FLEXIBLE METAL CONDUIT WHERE APPLICABLE PER NATIONAL ELECTRIC CODE. ALL ELECTRICAL EQUIPMENT WILL BE LISTED BY U.L. OR EQUIVALENT RECOGNIZED NATIONAL TESTING LABORATORY. ALL WIRING TO TERMINATE AT C.B. PANEL. ALL CIRCUITS HAVE GREEN GROUND WIRE.

BOOTH WILL HAVE A **3"** CANOPY OVERHANG ON ALL SIDES.

REMOVABLE LIFTING RING(S) ARE PROVIDED ON ROOF.

LIFTING RING(S) ARE DESIGNED FOR A STRAIGHT VERTICAL LIFT ONLY. SPREADER BARS MUST BE USED WHERE APPLICABLE TO ENSURE STRAIGHT VERTICAL LIFT. ALL WARRANTIES WILL BE **VOID** IF NOT LIFTED IN THIS MANNER.

**NO ON SITE WORK BY PAR-KUT.**

ACTUAL LOCATION OF ELECTRICAL DEVICES MAY VARY DUE TO INSTALLATION CONSTRAINTS, SHIPPING RESTRICTIONS, OR FOR PROPER PLACEMENT TO SATISFY APPLICABLE CODES.

**LINE ITEMS**

ITEM #	DESCRIPTION	QTY
1	COUNTER - 18" DEEP PAINTED GALVANIZED STEEL MOUNTED 32" A.F.F.	1
2	PAINTED STORAGE DRAWER.	1
3	DOOR - 30" SLIDING STEEL WITH WEATHER-STRIPPING, BALL BEARING HANGERS, HEAVY DUTY TRACK, SAFETY GLAZING, HOOK BOLT LOCK, AND HARDWARE.	1
4	2" DIAMETER HOLE IN COUNTER FOR DROP CORDS.	1
5	DUPLEX OUTLET MOUNTED ABOVE COUNTER.	1
6	INTERIOR LIGHT WITH WALL SWITCH - 48" LED LIGHT FIXTURE WITH ACRYLIC LENS.	1
7	WALL SWITCH FOR INTERIOR LIGHT.	1
8	HEATER - 120V/1,500 WATT WALL MOUNTED WITH INTEGRAL THERMOSTAT CONTROL.	1
9	12 SPACE, 120/240V, 1Ø-3 WIRE WITH GROUND BAR, 100 AMP MAIN BREAKER, AND ALL BRANCH BREAKERS FOR FACTORY INSTALLED DEVICES PROVIDED.	1
10	SLIDING DOOR WITH BARREL BOLT LOCK.	1
10a	COAT HOOK MOUNTED ON DOOR.	1
11	INTERIOR LIGHT - 24" LED LIGHT FIXTURE WITH ACRYLIC LENS.	1
12	80 CFM EXHAUST FAN, INCLUDES FAN VENT COVER WITH INSECT SCREEN.	1
13	WALL SWITCH FOR REST ROOM LIGHT ITEM #11 AND EXHAUST FAN MOUNTED 48" MAX A.F.F. ITEM #12.	1
14	GFCI PROTECTED DUPLEX RECEPTACLE.	1
15	GFCI PROTECTED SINGLE RECEPTACLE.	1
16	MIRROR.	1
17	TOILET PAPER HOLDER.	1
18	PAPER TOWEL DISPENSER.	1
19	OFF WHITE FIBERGLASS REINFORCED PANEL BACK SPLASH BEHIND AND NEXT TO TOILET.	1
NOTE: THE FOLLOWING ITEMS ARE SHIPPED LOOSE WITH INSTALLATION ON SITE BY OTHERS: (NO PIPING OR PLUMBING BY PAR-KUT)		
20	LAVATORY WITH CHROME FAUCET, EXPOSED PIPES BELOW THE LAVATORY TO BE INSULATED TO PROTECT AGAINST CONTACT.	1
21	WATER CLOSET WITH OPEN FRONT SEAT.	1
22	2 1/2 GALLON POINT OF USE WATER HEATER.	1

NOTE: THIS PRINT AND DESIGN ARE THE PROPERTY OF PAR-KUT INTERNATIONAL, INC. IT MUST NOT BE REPRODUCED IN ANY MANNER, NOR SHALL IT BE SUBMITTED TO OUTSIDE PARTIES FOR EXAMINATION WITHOUT OUR CONSENT. IT SHALL BE USED ONLY AS A MEANS OF REFERENCE TO WORK DESIGNED AND FURNISHED BY PAR-KUT. PAR-KUT RESERVES THE RIGHT TO MAKE CHANGES TO DESIGN FOR ENGINEERING PURPOSES WITHOUT NOTICE. REVISIONS MAY NOT BE NOTED.

PAR-KUT INTERNATIONAL, INC.  
 40961 Production Drive  
 Harrison Twp., Mich.  
 48045-1351  
 PH. (586) 468-2947  
 www.parkut.com



DWG# PK106r SHEET A-1

STANDARD 6' X 10' BOOTH  
 MODEL 106R

PO#	SCALE	DRAWN BY	REVISED
	3/8"=12"	DPH	11-30-2021
DATE	SIZE	QTY	
1-10-2017	6' X 10'		
CHK'D BY:	SALES REPRESENTATIVE		