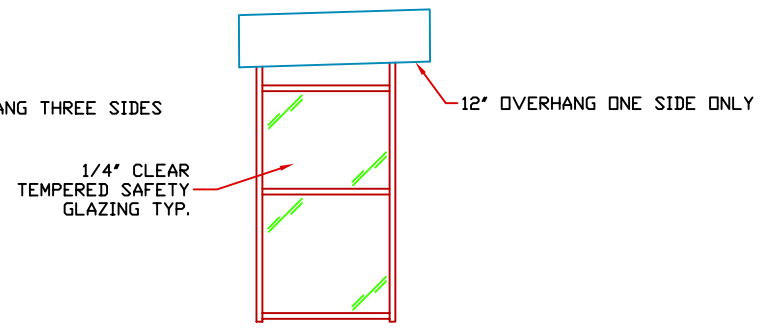
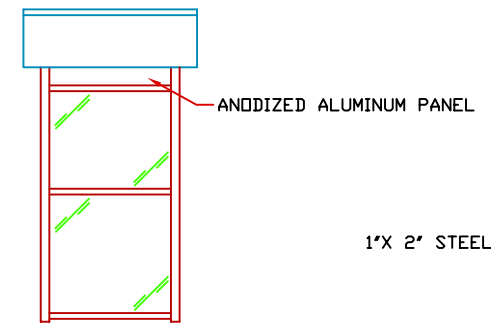


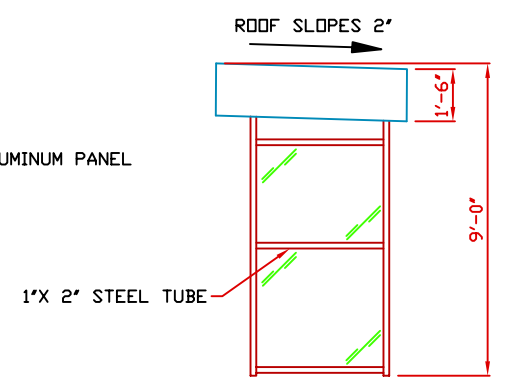
E1 ELEVATION



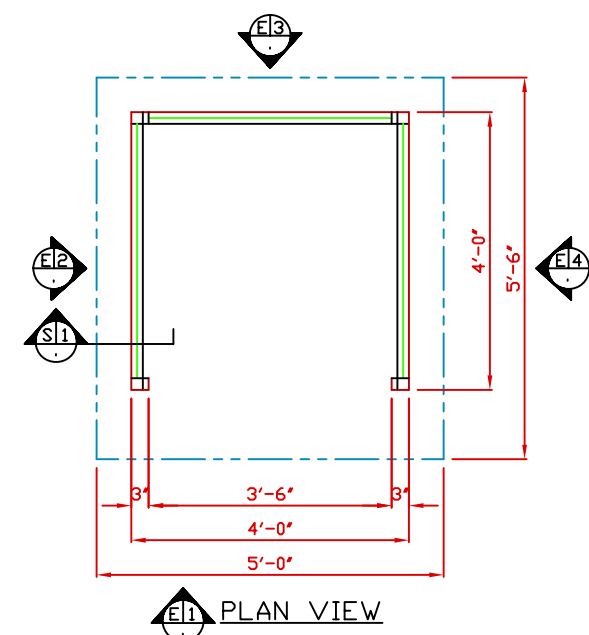
E2 ELEVATION



E3 ELEVATION



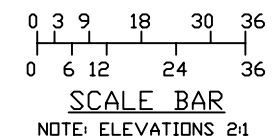
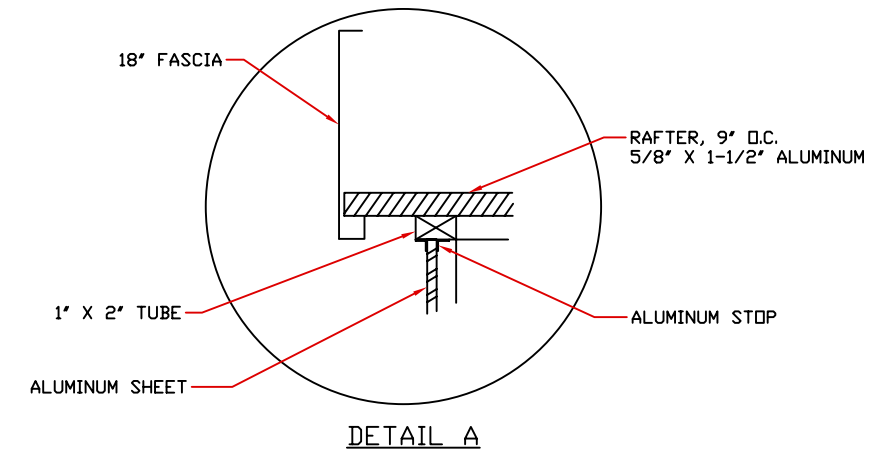
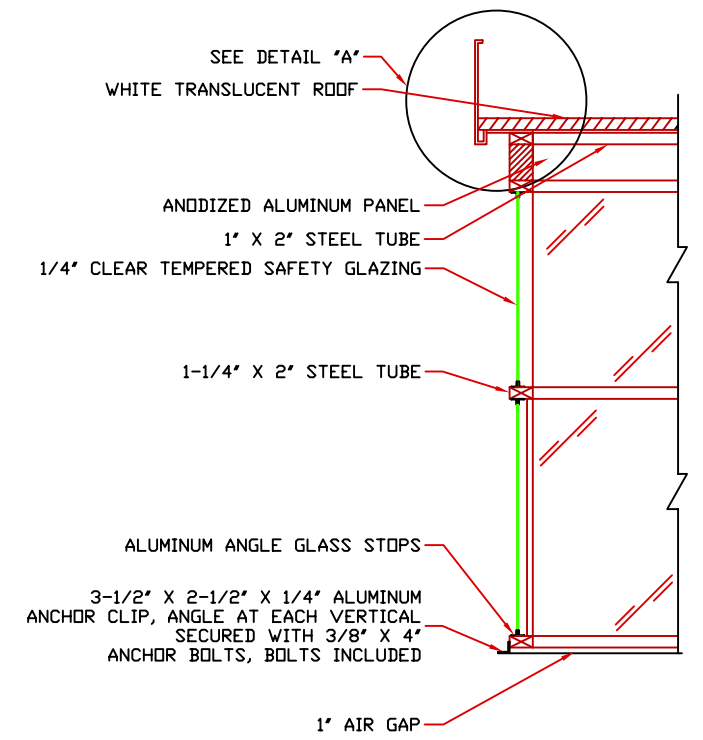
E4 ELEVATION



**NOTES:**

1. ROOF TO BE WHITE TRANSLUCENT
2. FRAMING CLIPS TO BE ANODIZED ALUMINUM.
3. STRUCTURAL UPRIGHTS AND CROSS MEMBERS TO BE CLEAR ANODIZED ALUMINUM. OPTIONAL: BRONZE OR BLACK

NOTE: THIS SHELTER IS ERECTED ON SITE BY CUSTOMER



NOTE: THIS PRINT AND DESIGN ARE THE PROPERTY OF PAR-KUT INTERNATIONAL, INC. IT MUST NOT BE REPRODUCED IN ANY MANNER, NOR SHALL IT BE SUBMITTED TO OUTSIDE PARTIES FOR EXAMINATION WITHOUT OUR CONSENT. IT SHALL BE USED ONLY AS A MEANS OF REFERENCE TO WORK DESIGNED AND FURNISHED BY PAR-KUT. PAR-KUT RESERVES THE RIGHT TO MAKE CHANGES TO DESIGN FOR ENGINEERING PURPOSES WITHOUT NOTICE. REVISIONS MAY NOT BE NOTED.

PAR-KUT INTERNATIONAL, INC.  
 40961 Production Drive  
 Harrison Twp, Mich.  
 48045-1351  
 PH. (586) 468-2947



DWG# SHLT-012 SHEET A-1

4' X 4' PAY STATION RAIN SHELTER

GENERAL NOTES		
PAINT COLOR: (PLEASE SPECIFY COLOR)		
SCALE: NTS	DRAWN BY: NSG	REVISED:
DATE:	SIZE: 4' X 4'	QTY:
CHK'D BY:	SALES REPRESENTATIVE	

PD#	DATE	CHK'D BY:
SCALE: NTS	SIZE: 4' X 4'	SALES REPRESENTATIVE
DRAWN BY: NSG	REVISED:	
DATE:	QTY:	