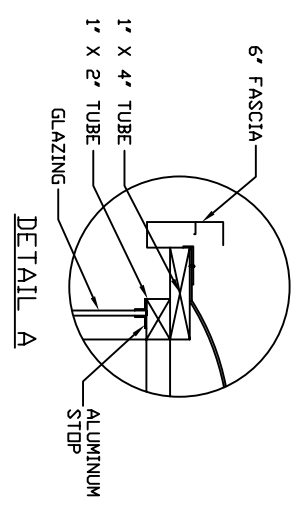


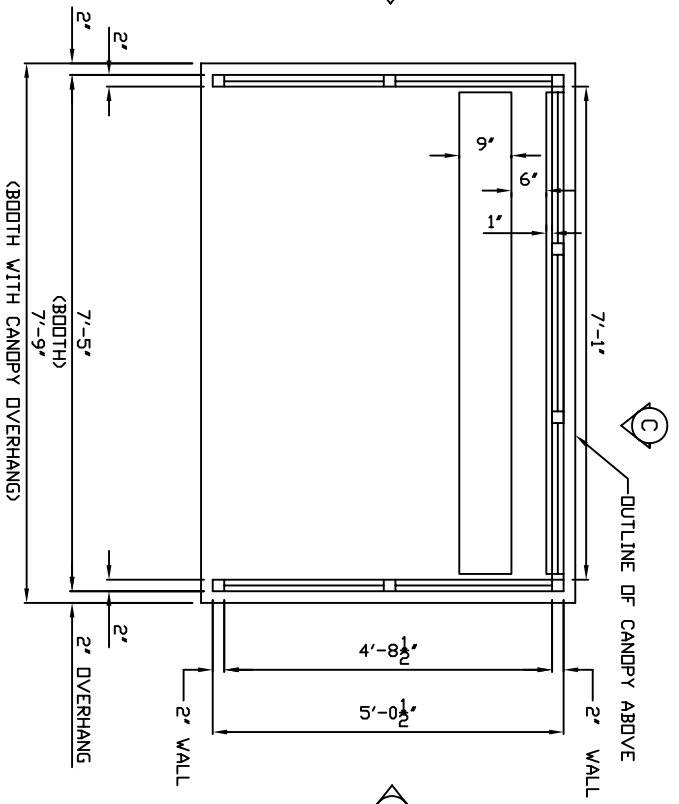
FRONT ELEVATION

END ELEVATIONS

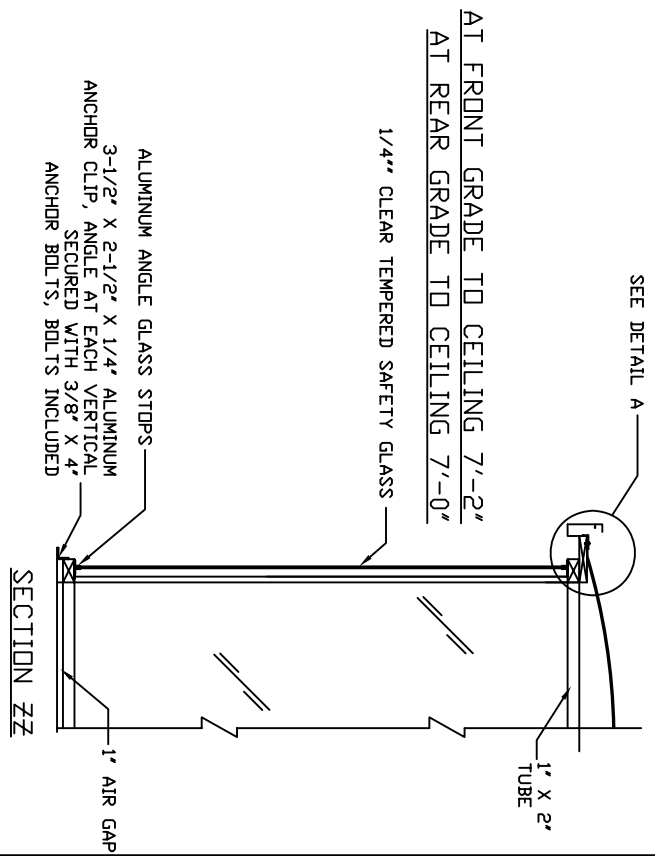


DETAIL A

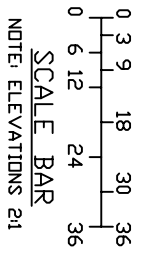
- NOTES:
1. ROOF TO BE (1) 1/4" GRAY ACRYLIC DOMES WITH ALUMINUM FASCIA & GUTTER SYSTEM.
 2. FRAMING CLIPS TO BE ANODIZED ALUMINUM.
 3. STRUCTURAL UPRIGHTS AND CROSS MEMBERS TO BE BLACK ANODIZED ALUMINUM.
 4. 7' BENCH WITH BACKREST. (BLACK ANODIZED ALUMINUM),
 5. ALLOY= 6063.
 6. TEMPER=T-6.
 7. THICKNESS OF MEMBERS= .070.
 8. FINISH: BLACK ANODIZED ALUMINUM.



PLAN VIEW



SECTION ZZ



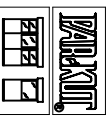
DESIGN LOADS:

ROOF LIVE LOAD, 45 PSF
WIND LOAD, 70 MPH

A/E NOTES

NOTE: THIS PRINT AND DESIGN ARE THE PROPERTY OF PAR-KUT INTERNATIONAL, INC. AND MUST NOT BE REPRODUCED OR TRANSMITTED IN ANY FORM OR BY ANY MEANS, ELECTRONIC OR MECHANICAL, INCLUDING PHOTOCOPYING, RECORDING, OR BY ANY INFORMATION STORAGE AND RETRIEVAL SYSTEM, WITHOUT THE WRITTEN PERMISSION OF PAR-KUT INTERNATIONAL, INC. THIS DRAWING IS THE PROPERTY OF PAR-KUT INTERNATIONAL, INC. AND IS NOT TO BE REPRODUCED OR TRANSMITTED IN ANY FORM OR BY ANY MEANS, ELECTRONIC OR MECHANICAL, INCLUDING PHOTOCOPYING, RECORDING, OR BY ANY INFORMATION STORAGE AND RETRIEVAL SYSTEM, WITHOUT THE WRITTEN PERMISSION OF PAR-KUT INTERNATIONAL, INC.

PAR-KUT INTERNATIONAL, INC.
40961 Production Drive
Harrison Twp, Mich.
48045-1351
PH. (586) 488-2947



DWG# SHLT-011 SHEET A-1

SCALE	DRAWN BY	REVISED
NTS	DNE	
DATE	SIZE	QTY
11-13-2003	8'-0-1/2" x 7'-5"	
CHK'D BY:	SALES REPRESENTATIVE	

NOTE: SHELTER FACTORY ASSEMBLED
FIELD INSTALLATION BY OTHERS.