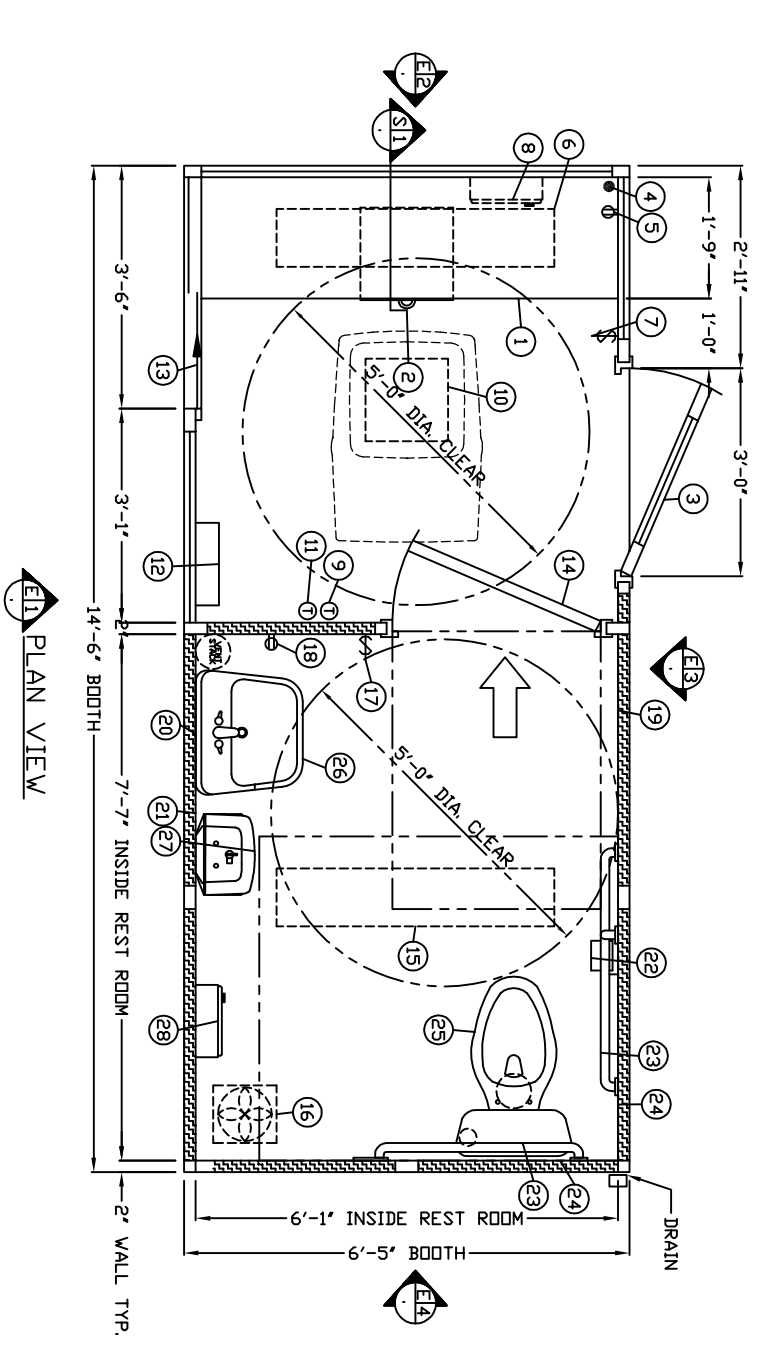
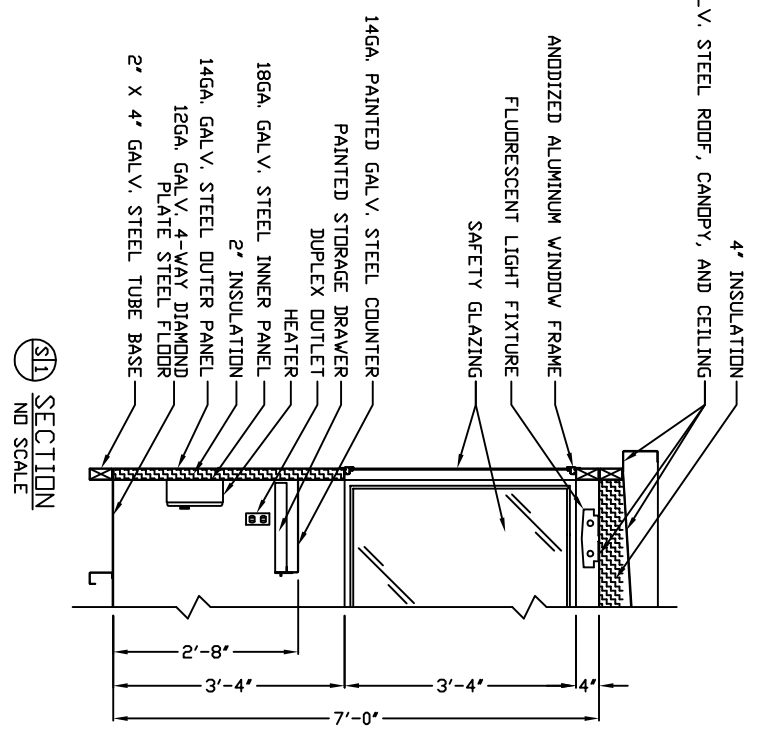


- a. SLOT IN FLOOR FOR ELECTRICAL SERVICE ENTRANCE TO C.B. PANEL.
 - b. 3/8" HOLE THROUGH FLOOR FOR WATER INLET.
 - c. 6" HOLE THROUGH FLOOR FOR WATER CLOSET.
 - d. VENT STACK: 6" HOLE THROUGH FLOOR
 - e. 3" x 3" x 3/8" (MIN) STEEL ANCHOR CLIP WITH A 1" ANCHOR BOLT HOLE, 4-REQ'D, ONE EACH CORNER. ANCHOR BOOTH AFTER FINAL LOCATION. ANCHOR BOLTS NOT INCLUDED.
 - f. OUTER EDGE OF BOOTH.
 - g. SUGGESTED MINIMUM FOUNDATION/SLAB.
- GENERAL SITE INSTALLED ITEMS PROVIDED BY OTHERS:
1. PROVIDE 120/240V, 1Ø-3 WIRE SERVICE WITH GROUND.
 2. CONCRETE FOUNDATION/SLAB MINIMUM 6" DEEP 3,000 PSI MINIMUM (28 DAY ACI 318). THE FOUNDATION/SLAB SHOULD BE MINIMUM OF 24" WIDER THAN THE ROOF LINE DIMENSIONS TO ALLOW A 12" CONCRETE BORDER ON EACH SIDE OF THE BUILDING ROOF LINE.
 3. ADEQUATE SIZE DRILLED ANCHOR BOLTS, SUGGESTED SIZE 3/4" x 4 1/2" POWER FASTENERS "POWER STUD" CATALOG #7332.



1. COUNTER - PAINTED GALVANIZED STEEL.
 2. PAINTED STORAGE DRAWER.
 3. DOOR - SLIDING STEEL WITH WEATHER-STRIPPING, BALL BEARING HANGERS, HEAVY DUTY TRACK, SAFETY GLAZING, HOOK BOLT LOCK WITH REMOVABLE CYLINDER, AND INSIDE THUMB TURN.
 4. HOLE IN COUNTER FOR DROP CORDS.
 5. DUPLEX OUTLET MOUNTED BELOW COUNTER.
 6. FLUORESCENT LIGHT FIXTURE WITH T-8 LAMP INCLUDED.
 7. WALL SWITCH FOR INTERIOR LIGHT.
 8. HEATER - WALL MOUNTED WITH WALL THERMOSTAT CONTROL.
 9. WALL THERMOSTAT FOR HEATER.
 10. AIR CONDITIONER - ROOF MOUNTED WITH INTEGRAL THERMOSTAT CONTROL.
 11. WALL THERMOSTAT FOR AIR CONDITIONER.
 12. CIRCUIT BREAKER PANEL - 12 SPACE, 120/240V, 1Ø-3 WIRE WITH GROUND BAR, 100 AMP MAIN BREAKER, AND ALL BRANCH BREAKERS FOR FACTORY INSTALLED DEVICES PROVIDED.
 13. HORIZONTAL SLIDING TRANSACTION WINDOW.
 14. SWINGING PRIVACY DOOR WITH LOCK.
 15. FLUORESCENT LIGHT FIXTURE.
 16. EXHAUST FAN.
 17. SWITCH FOR REST ROOM LIGHT AND EXHAUST FAN.
 18. GFI RECEPTACLE.
 19. CRAT HOOK MOUNTED ON DOOR.
 20. MIRROR.
 21. PAPER TOWEL DISPENSER.
 22. TOILET PAPER HOLDER.
 23. STAINLESS STEEL GRAB BAR.
 24. OFF WHITE FIBERGLASS REINFORCED PANEL, BACK SPLASH, FOR ON SITE INSTALLATION BY OTHERS.
 25. WATER CLOSET WITH OPEN FRONT SEAT SHIPPED LOOSE FOR ON SITE INSTALLATION BY OTHERS.
 26. LAVATORY WITH CHROME FAUCET SHIPPED LOOSE FOR ON SITE INSTALLATION BY OTHERS.
 27. ARISTON 2 1/2 GALLON POINT OF USE WATER HEATER SHIPPED LOOSE FOR ON SITE INSTALLATION BY OTHERS.
- NOTE: PAR-KUT BOOTHS ARE OF SINGLE UNIT WELDED STEEL CONSTRUCTION, FACTORY ASSEMBLED AND DELIVERED SET UP. FAILURE TO SECURELY ANCHOR BOOTH MAY RESULT IN OVERTURNING OF UNIT AND SERIOUS INJURY TO OCCUPANT.
- A. GLAZING - SAFETY GLAZING SET IN ANODIZED ALUMINUM WINDOW FRAMES.
 - B. PAINT - FINISH SHALL BE SINGLE COLOR OF CHOICE; IRON POLYURETHANE HIGH GLOSS INDUSTRIAL COATING. SHALL BE APPLIED TO ALL EXPOSED METAL SURFACES. THIS EXCLUDES ROOF SURFACE, ANODIZED ALUMINUM WINDOW FRAMES AND ANY STAINLESS STEEL COMPONENTS (IF USED).
 - C. ELECTRICAL - ALL WIRING BY PAR-KUT TO BE #12(MIN) STRANDED COPPER, THHN ENCLOSED IN 3/4"(MIN) E.M.T. PER NATIONAL ELECTRIC CODE, FITTINGS, FIXTURES, AND DEVICES ARE U.L. LABELED. ALL WIRING TO TERMINATE AT C.B. PANEL. ALL CIRCUITS HAVE GREEN GROUND WIRE.
 - D. BOOTH WILL HAVE A 3' CANOPY OVERHANG ON ALL SIDES.
 - E. LIFTING RINGS ARE PROVIDED ON ROOF.
 - F. NO ON SITE WORK BY PAR-KUT.

PAINT COLOR: (PLEASE SPECIFY COLOR)		GENERAL NOTES	
DATE	SCALE	DRAWN BY	REVISED
2-14-2013	11'-5" X 14'-6"	EJL	11-5-2014
CHK'D BY:	SALES REPRESENTATIVE		

NOTE: THIS PRINT AND DESIGN ARE THE PROPERTY OF PAR-KUT INTERNATIONAL, INC. IT MUST NOT BE REPRODUCED OR COPIED IN ANY MANNER WITHOUT THE WRITTEN CONSENT OF PAR-KUT INTERNATIONAL, INC. PAR-KUT RESERVES THE RIGHT TO MAKE CHANGES TO THIS DESIGN FOR ENGINEERING PURPOSES WITHOUT NOTICE. REVISIONS WILL NOT BE NOTED.

PAR-KUT INTERNATIONAL, INC.
40961 Production
Harrison Twp., NJ
PH. (986) 468-2947
www.par-kut.com

DWG# PK1466R SHEET A-1
STANDARD 6'-5" X 14'-6"
ADA REST ROOM BOOTH
MODEL PK1466R