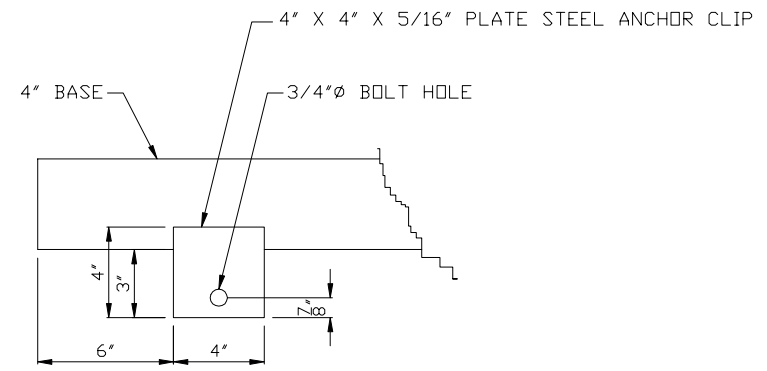
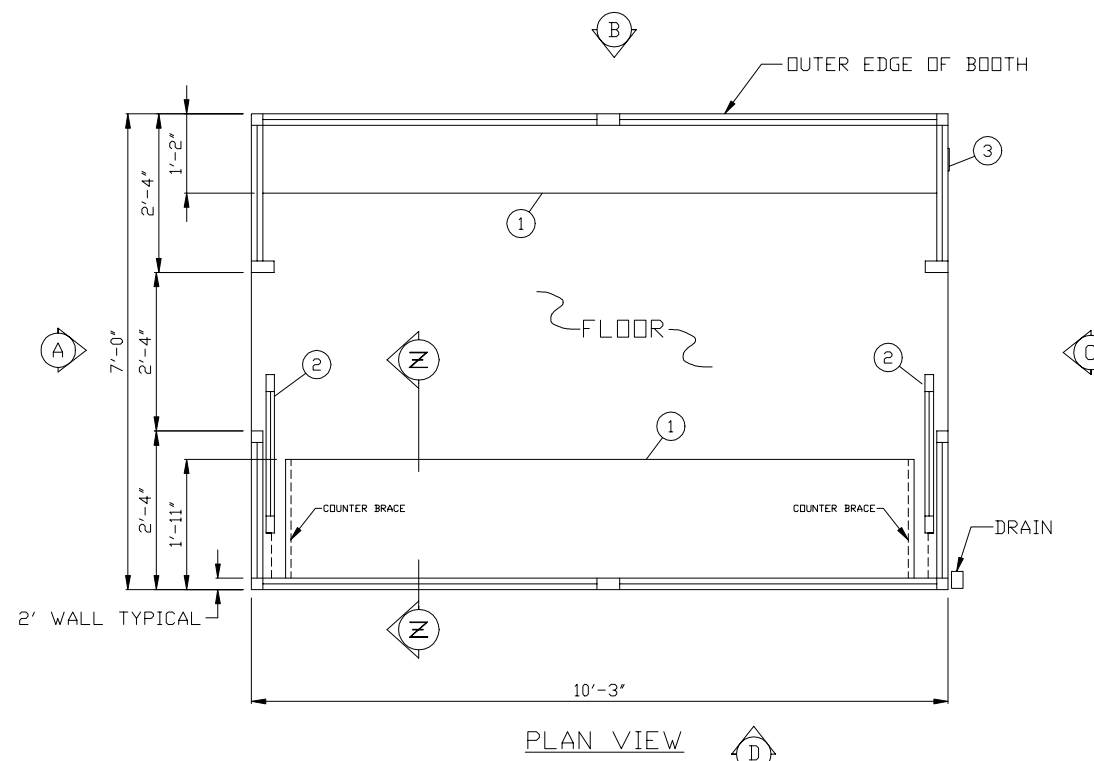


- COUNTER- 14GA. PAINTED GALVANIZED STEEL. OPTIONAL 30" A.F. 1- 21" DEEP & 1- 12" DEEP. FRONT EDGE OF COUNTER TO BE 1-1/2".
  - DOOR- 28" WIDE, SLIDING ALUMINUM WITH SAFETY GLAZING, WEATHERSTRIPPING, BALL BEARING HANGERS, HEAVY DUTY TRACK, LOCK & HARDWARE. 2-REQ'D
  - OPTIONAL ANCHOR CLIP- 4" X 4" X 5/16" STEEL WELDED TO BASE AT GRADE WITH 3/4" ANCHOR BOLT HOLE. 4-REQ'D, ONE 6" IN ON EACH CORNER. ANCHOR BOOTH AFTER FINAL LOCATION. ANCHOR BOLTS NOT INCLUDED.
- NOTE: PAR-KUT BOOTHS ARE OF SINGLE UNIT WELDED GALVANIZED STEEL CONSTRUCTION, FACTORY ASSEMBLED AND DELIVERED SET UP. FAILURE TO SECURELY ANCHOR BOOTH MAY RESULT IN OVERTURNING OF UNIT AND SERIOUS INJURY TO OCCUPANT.
- ALL GLAZING TO BE 1/4" DARK GRAY TINTED TEMPERED SAFETY GLASS SET IN MILL FINISH ALUMINUM WINDOW FRAMES. OPERABLE WINDOWS PROVIDED WITH INSECT SCREENS.
  - PAINT- RUST INHIBITIVE EPOXY PRIMER WITH A POLYURETHANE FINISH. (1-COAT EPOXY PRIMER, 2-COATS DUPONT IMRON)
  - NO ELECTRIC BY PAR-KUT.
  - BOOTH TO HAVE A 3" CANOPY OVERHANG.
  - LIFTING RING(S) PROVIDED IN ROOF.
  - BOOTH FLOOR TO BE INSULATED.
  - NO ON SITE WORK BY PAR-KUT.



NOTE: THIS PRINT AND DESIGN ARE THE PROPERTY OF PAR-KUT INTERNATIONAL, INC. IT MUST NOT BE REPRODUCED IN ANY MANNER, NOR SHALL IT BE SUBMITTED TO OUTSIDE PARTIES FOR EXAMINATION WITHOUT OUR CONSENT. IT SHALL BE USED ONLY AS A MEANS OF REFERENCE TO WORK DESIGNED AND FURNISHED BY PAR-KUT. PAR-KUT RESERVES THE RIGHT TO MAKE CHANGES TO DESIGN FOR ENGINEERING PURPOSES WITHOUT NOTICE.

PAR-KUT INTERNATIONAL, INC.  
 40961 Production Drive  
 Harrison Twp, Mich.  
 48045-1351  
 PH. (810) 468-2947

DWG# 0012		
#107DD-DT		
SCALE	DRAWN BY	REVISED
NTS	DNE / DLT	
DATE	SIZE	QTY
7-25-2000	7' X 10'-3"	
CHK'D BY:	REVISION(S) CHK'D BY:	

A/E NOTES	
POLYURETHANE COLOR: _____	
NO ELECTRIC BY PAR-KUT.	