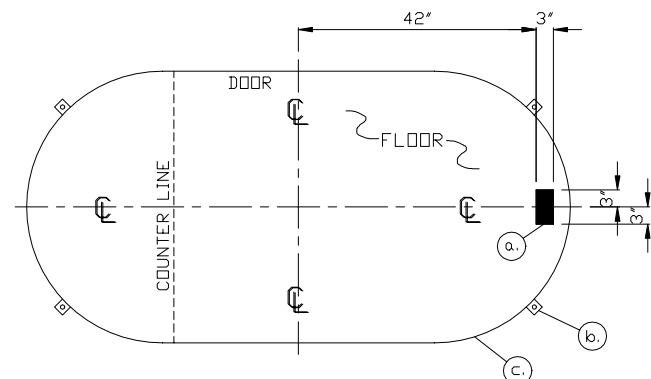


- a. 3" X 6" SLOT IN FLOOR FOR ELECTRIC SERVICE ENTRANCE TO C.B. PANEL ABOVE
- b. 2" X 2" X 1/4" MIN. ANCHOR CLIP WITH 3/4" ANCHOR BOLT HOLE, 4-REQ'D. ONE EACH CORNER. ANCHOR BOOTH AFTER FINAL LOCATION. ANCHOR BOLTS NOT INCLUDED
- c. OUTER EDGE OF BASE

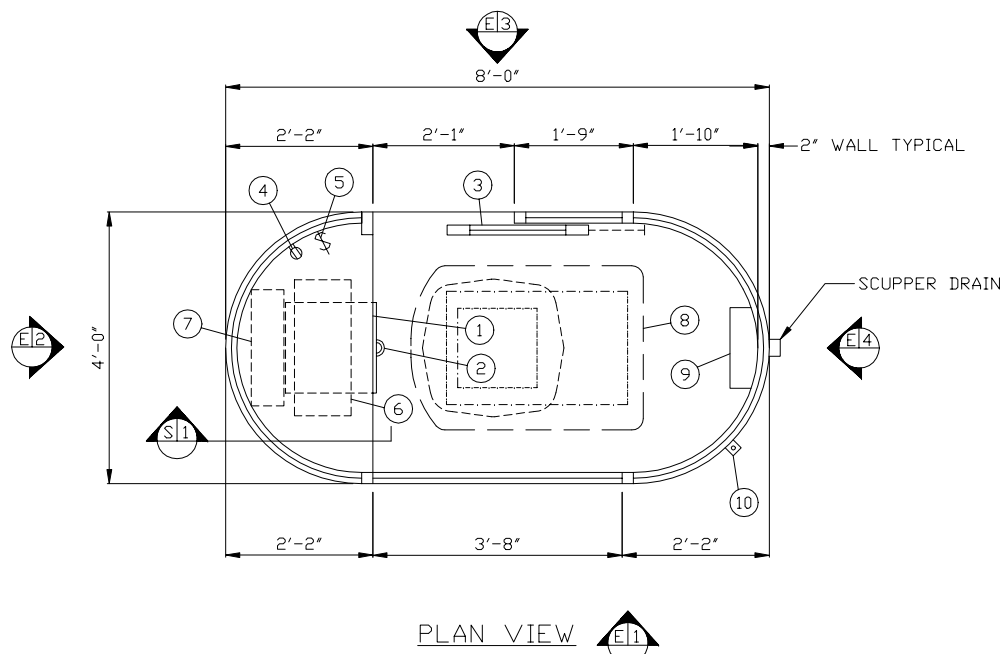


NOTE: PROVIDE 120/240V. 1Ø-3 WIRE SERVICE WITH GROUND.
SERVICE ENTRANCE/ANCHOR BOLT LAYOUT

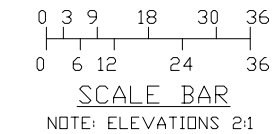
1. COUNTER- 24" DEEP PAINTED GALVANIZED STEEL 32" ABOVE FLOOR.
2. PAINTED STORAGE DRAWER BENEATH COUNTER.
3. DOOR- 25" WIDE, SLIDING STEEL WITH WEATHER-STRIPPING, BALL BEARING HANGERS, SAFETY GLAZING, SLIDE UP CASHIER WINDOW, HEAVY DUTY TRACK, LOCK, & HARDWARE.
4. DUPLEX OUTLET- MOUNTED BELOW COUNTER.
5. LIGHT SWITCH FOR INTERIOR LIGHT.
6. LIGHT- 2-20 WATT LAMP FLUORESCENT RECESSED LIGHT FIXTURE WITH LENS.
7. HEATER- 240V./5,600 WATT FAN FORCED WITH INTEGRAL THERMOSTAT CONTROL.
8. OPTIONAL AIR CONDITIONER- 120V./13,500 BTU ROOF MOUNTED WITH INTEGRAL THERMOSTAT CONTROL.
9. C.B. PANEL- 120/240V. 1Ø-3 WIRE WITH GROUND BAR. MAIN BREAKER NOT INCLUDED.
10. ANCHOR CLIP- 2" X 2" STEEL WELDED TO BASE AT GRADE WITH 3/4" ANCHOR BOLT HOLE. 4-REQ'D. ANCHOR BOOTH AFTER FINAL LOCATION. ANCHOR BOLTS NOT INCLUDED.

NOTE: PAR-KUT BOOTHS ARE OF SINGLE UNIT WELDED GALVANIZED STEEL CONSTRUCTION, FACTORY ASSEMBLED AND DELIVERED SET UP. FAILURE TO SECURELY ANCHOR BOOTH MAY RESULT IN OVERTURNING OF UNIT AND SERIOUS INJURY TO OCCUPANT.

- A. GLAZING TO BE OPTIONAL 3/16" CLEAR MAR RESISTANT POLYCARBONATE SAFETY GLAZING IN CURVED ENDS ONLY AND CLEAR TEMPERED SAFETY GLAZING IN FLAT SIDES ONLY WITH ALUMINUM GLAZING STOPS.
- B. PAINT- A RUST INHIBITIVE EPOXY PRIMER WITH INDUSTRIAL ENAMEL FINISH.
- C. ELECTRICAL- ALL WIRING BY PAR-KUT TO BE #12(MIN) STRANDED COPPER, THHN ENCLOSED IN 1/2"(MIN) E.M.T. PER NATIONAL ELECTRIC CODE. FITTINGS, FIXTURES & DEVICES ARE U.L. LABELED. ALL WIRING TO TERMINATE AT C.B. PANEL. ALL CIRCUITS HAVE GREEN GROUND WIRE.
- D. BOOTH WILL NOT HAVE A CANOPY OVERHANG.
- E. LIFTING RING(S) ARE PROVIDED IN ROOF.
- F. NO ON SITE WORK BY PAR-KUT.



PLAN VIEW



NOTE: THIS PRINT AND DESIGN ARE THE PROPERTY OF PAR-KUT INTERNATIONAL, INC. IT MUST NOT BE REPRODUCED IN ANY MANNER, NOR SHALL IT BE SUBMITTED TO OUTSIDE PARTIES FOR EXAMINATION WITHOUT OUR CONSENT. IT SHALL BE USED ONLY AS A MEANS OF REFERENCE TO WORK DESIGNED AND FURNISHED BY PAR-KUT. PAR-KUT RESERVES THE RIGHT TO MAKE CHANGES TO DESIGN FOR ENGINEERING PURPOSES WITHOUT NOTICE. REVISIONS MAY NOT BE NOTED.

PAR-KUT INTERNATIONAL, INC.
40961 Production Drive
Harrison Twp, Mich.
48045-1351
PH. (810) 468-2947



DWG# 0005 SHEET A-1

#84CRV-RAC

A/E NOTES		
PAINT COLOR:		
SCALE NTS	DRAWN BY AJP / DLT	REVISED
DATE 7-25-2000	SIZE 4' X 8'	QTY
CHK'D BY:	SALES REPRESENTATIVE	